



Your partner  
for ward logistics



---

A Sense of Company	05
A Sense of Care	07
SCHMITZ – represented worldwide	08
<b>varimed® Functional trolleys</b> Our experts for everyday clinical practice.	10
<b>varimed® ISO trolleys</b> Our experts for ward logistics	54
<b>Accessories for functional and ISO trolleys</b>	74
<b>varimed®</b> The multifunctional rail system	102
<b>Drawer dividers for functional trolleys</b>	126
<b>Modules for ISO trolleys</b>	140
<b>varimed® Functional and ISO trolleys / IT solutions</b>	146
<b>Technical data</b> Drawer layouts, model and material descriptions	158
<b>Colours</b> Powder coated finishes, plastic materials	172
Contact	179



## A Sense of Company

With more than 95 years of experience, SCHMITZ is one of the leading international manufacturers of medical products.

A family-owned business with a living tradition. Our typical employee has been with the company for some 18 years, proof of how strongly they identify with our values and philosophy.

In 2012, the company's management passed to Friedrich and Matthias Schmitz, the fourth generation of the family.

We are proud to be located in Germany and are deeply rooted in our home region. We develop and manufacture here.

90% of our suppliers are from Germany, of which 60% are from the local region.

## Made in Germany



---

*'The transition to the next generation is always something special.'*



## **A Sense of Care**

We understand the services which are our lifeblood, and aim to achieve maximum customer satisfaction. From consulting through planning to installation.

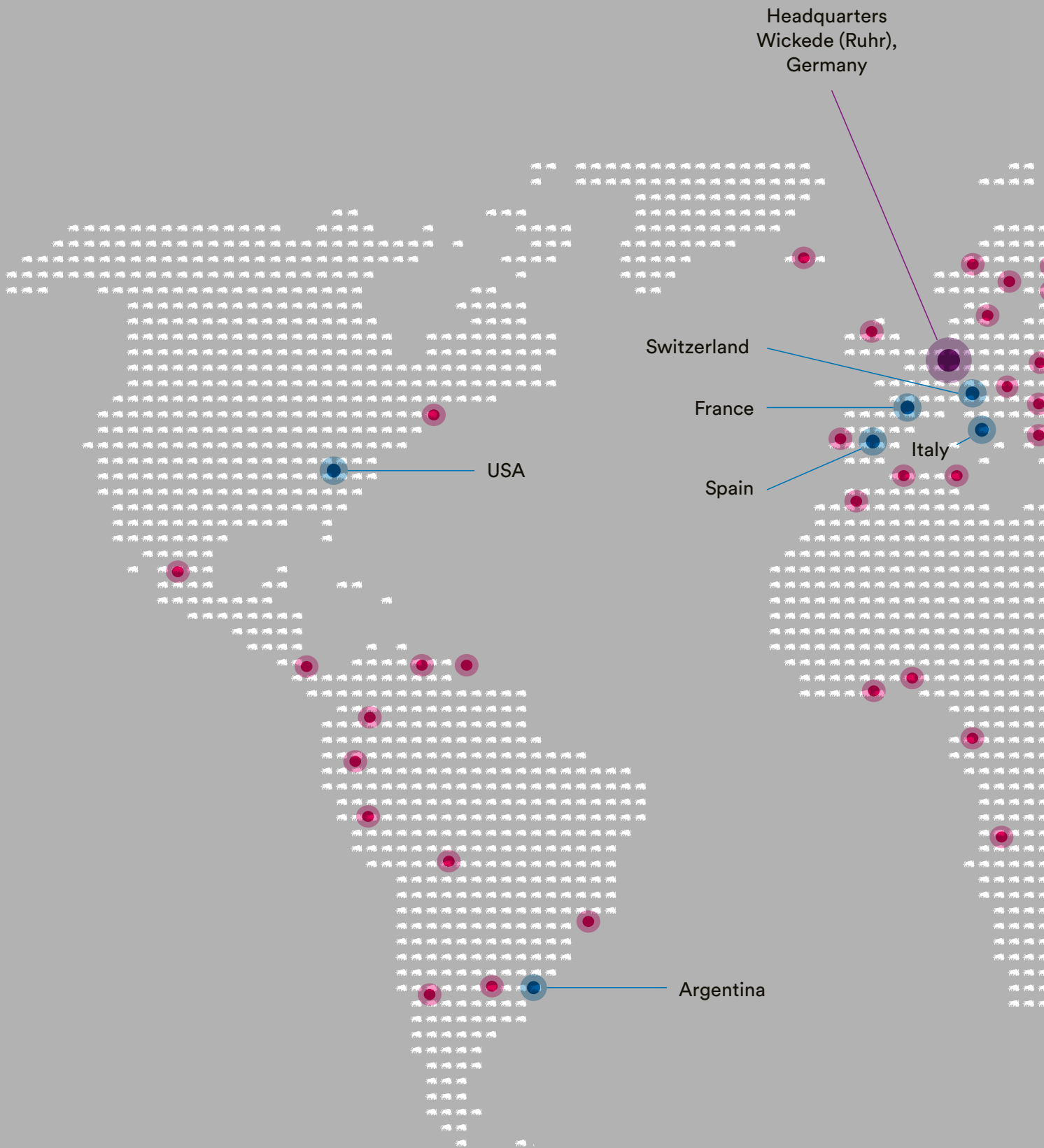
Cost-effectiveness through longevity is what you can expect from us.

With a well thought-out service concept and comprehensive support, SCHMITZ works alongside you as partner from start to finish.

### **Technical Customer Service**

T +49 (0)2377 84 549

[service@schmitz-medical.com](mailto:service@schmitz-medical.com)




- Over 80 international trade partners
- Sales offices

## SCHMITZ – represented worldwide







## **varimed® Functional trolleys**

### **Our experts for everyday clinical practice.**

SCHMITZ's market-leading functional trolleys offer the perfect assistance for everyday clinical practice.

Hardwearing and flexible – varimed® functional trolleys are used in almost every German clinic.

#### **As individual as your requirements**

Our colour and configuration concept guarantees ideally matched design options.

#### **Hygiene taken a step further**

Removable panels and closed surfaces enable rapid, complete and simple cleaning – a cleaning standard redefined by SCHMITZ.

#### **Optimal organisation**

A customised range of options ensures systems perfectly tailored to your structures – we organise your workplace.

#### **Perfect hygiene standard**

Nearly complete elimination of germs thanks to antimicrobial coatings – no chance for multidrug-resistant pathogens.

#### **High flexibility**

100% unrestricted mobility is guaranteed – tailored to your daily workflows.



## **varimed® Functional trolleys**

### **Best practice for all areas**

**Always on the right track with SCHMITZ functional trolleys:** Fully equipped as dressing, treatment or emergency trolleys, anaesthesia, ward or ICU trolleys that can also be individually arranged and supplemented with diverse accessories. Many functional details and a high quality standard ensure optimum handling for every area.

#### **Mobile and robust**

- Use of high-grade materials.
- Convincing design concept.
- Closed double easy-roll castors with directional lock.

#### **Comfort drawers**

- Full pullout for an optimal view of, and access to, contents.
- Automatic pull-in function keeping the drawers closed during transportation.
- Airmatic shock absorber system for a quiet, soft and easy closing.

#### **Optimal cleaning and hygiene**

- Smooth closed surfaces.
- Hidden drawer slides.
- Removable drawer fronts.

#### **Antimicrobial coating in several shades of colour**

for a continuous and long-lasting reduction of bacteria, mould and fungi colonisation.

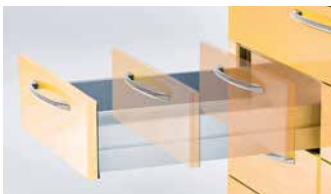



---

Wall protecting wheels protect the trolleys, furniture and the walls from damage

Closed double easy-roll ball-bearing castors, non-contact marking and abrasion-free quality

---

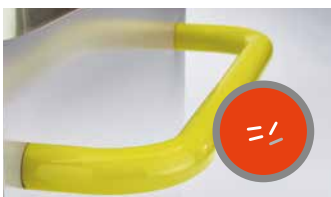


Hidden drawer slides with full pullout function for optimal hygiene

Drawers with automatic pull-in function and Airmatic shock absorber system

Easy to remove front makes cleaning simple

---



Ergonomic guiding bar in two models:

- Straight guiding (as illustrated in this picture)
- Curved mode

The guiding bar can be fitted to the right or left side or can be left off.

---



Surrounding silicone sealing profile, disinfectant-proof  
(Opening angle of the doors max. 125°)

---



Side rails 202.3000.0 for easy attachment of accessories

---



SST 18/10 table top cover (202.0110.0 – 202.0130.0)

## **varimed® Functional trolleys**

### **Best practice for all areas**

**Optical and functional adjustment possible thanks to different sizes.**

- Various equipment options.
- Superior accessory design.
- Various colour combinations.

### **Design**

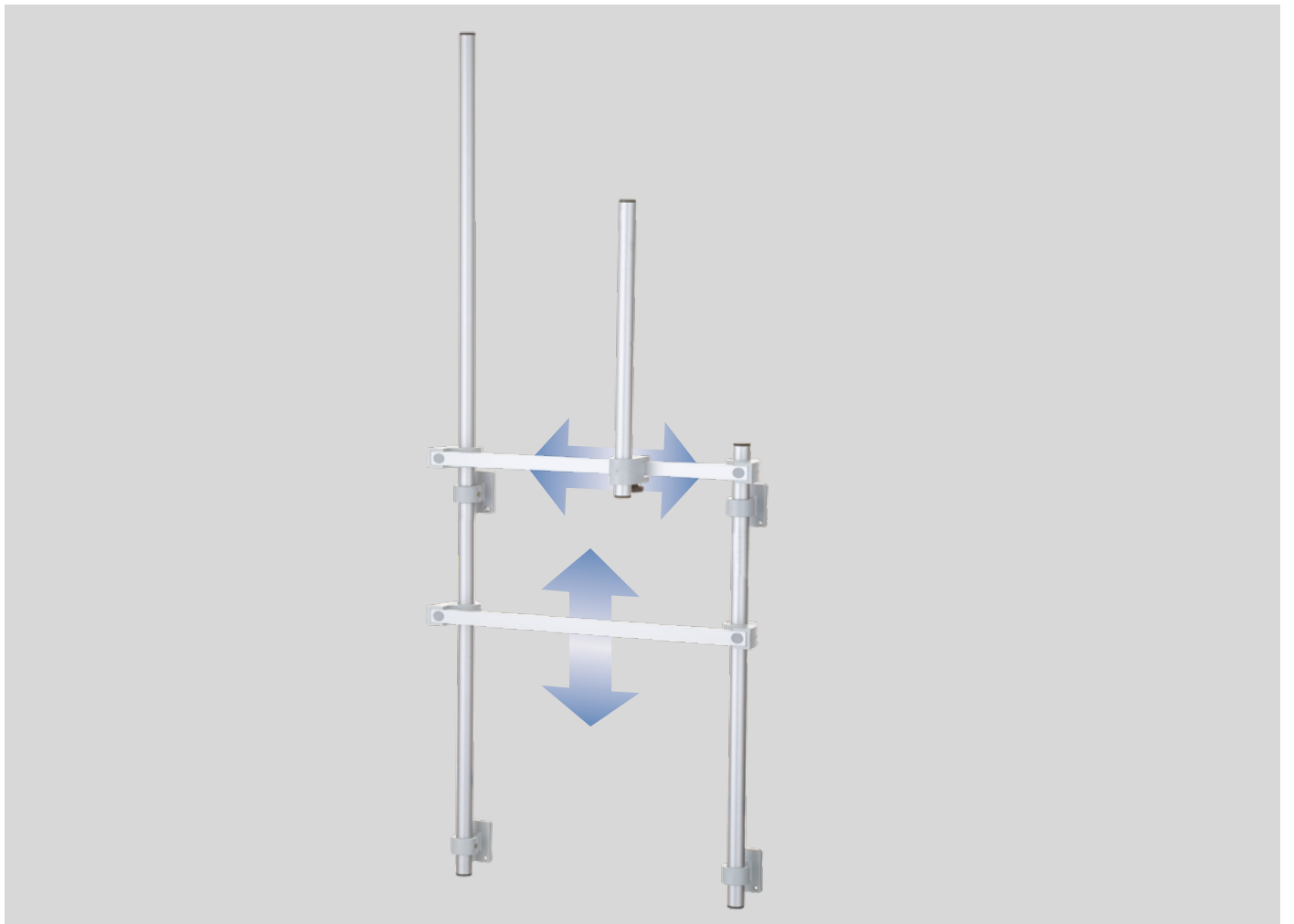
Successful combination of function, ergonomics and form.



**varimed®****The rail system for accessories**

- Easy and fast attachment and interchange of accessories
- Suspending instead of screw-connection
- Side rails with a useful length of 460 mm (functional trolleys) and 410 mm (ISO trolleys) – Please observe the space required by the accessory
- Details on the possible equipment of the functional or ISO trolleys with side rails can be found on pp. 158 and 164

Accessories that can be fastened on the rails can be found on page 90 ff.



**varimed®**

## **The multifunctional rail system for accessories**

Get inspired by the flexibility of this system and make the functional trolley serve as your optimal assistant.

### **A strong combination with decisive advantages:**

- Simple and ergonomic attachment of accessories – vertically and horizontally adjustable.
- Saves time by optimizing and standardizing work sequences.
- Minimizes cross-contamination due to hygienic arrangement of dispensers.
- Safety due to firm and ergonomic fitting of the equipment needed at the right place.
- Use of standard accessory rails 25 × 10 mm.
- Subsequent fitting on existing trolleys.

This system and relative accessories can be found on page 102 ff.



260.0390.0

260.0023.0



260.0320.0

260.0610.0

## varimed® Functional trolleys

### Equipment examples

#### **Anaesthesia trolley Model No. 260.0390.0**

##### **fully equipped as shown**

- Cabinet body grey aluminium RAL 9007
- Cabinet fronts white aluminium RAL 9006
- Bar handles light saffron orange RAL 0608530
- Guiding bar light saffron orange RAL 0608530

#### **ICU Trolley Model No. 260.0023.0**

##### **fully equipped as shown**

- Cabinet body grey aluminium RAL 9007
- Cabinet fronts water lily white RAL 0758510
- Bar handles light saffron orange RAL 0608530

#### **Dressing and treatment trolley Model No. 260.0320.0**

Accessories: table top with 3-sided guard rail SST 18/10, model no. 202.0320.0,

2 side rails 500 mm long model no. 202.3000.0,

storage shelf model no. 202.0056.0,

SST basket model no. 202.0013.0,

waste bag holder model no. 202.0087.0

- Cabinet body grey white RAL 9002
- Cabinet fronts sapphire blue RAL 5003
- Bar handles chromium plated

#### **Dressing and treatment trolley Model No. 260.0610.0**

Accessory: Accessories set, model no. 202.9720.0

- Cabinet body grey white RAL 9002
- Cabinet fronts grey aluminium RAL 9007
- Bar handles matt chromium plated
- Guiding bar grey aluminium RAL 9007



## **varimed® Functional trolleys**

### **Equipment examples**

#### **Dressing trolley Model No. 260.0420.0** **fully equipped as shown**

- Cabinet body white aluminium RAL 9006
- Cabinet fronts signal yellow RAL 1003
- Bar handles white aluminium RAL 9006
- Guiding bar signal yellow RAL 1003



260.0032.0



260.0400.0

## **varimed® Functional and ISO trolleys Equipment examples**

### **ISO trolley Model No. 260.0032.0**

Accessories: Storage shelf, Model No. 202.0039.0,  
rack for supporting accessories, Model No. 202.0021.0,  
varimed medical waste bin set, Model No. 205.1550.0,  
holder for plastic tray, Model No. 205.1350.0,  
plastic tray with closed lid, Model No. 205.1450.0,  
waste bag holder 8 l, Model No. 202.0087.0,  
rack for supporting accessories, Model No. 205.4100.0,  
accessory set, Model No. 205.4110.0,  
syringe and cannula dispenser, Model No. 202.1650.0

- Cabinet body grey white RAL 9002
- Cabinet fronts light saffron orange RAL 0608530
- Bar handles vermilion RAL 2002

### **Emergency trolley Model No. 260.0400.0**

Accessory: integrated holder for “Weinmann“  
resuscitation unit “Life Base III“, model no. 202.6860.0

- Cabinet body grey white RAL 9002
- Cabinet fronts grey white RAL 9002
- Bar handles vermilion RAL 2002
- Guiding bar vermilion RAL 2002



260.0310.0



260.0110.0



260.0330.0



260.0370.0

## varimed® Functional trolleys

### Equipment examples

#### **Dressing and treatment trolley Model No. 260.0310.0**

Accessories: Table top with 3-sided guard rail, model no. 202.0020.0,  
Pre-heating system, model no. 202.5260.1

- Cabinet body white aluminium RAL 9006
- Cabinet fronts light blue RAL 2606030
- Bar handles white aluminium RAL 9006
- Guiding bar light blue RAL 2606030

#### **Dressing and treatment trolley Model No. 260.0110.0**

Accessory: Table top with 3-sided guard rail, model no. 202.0010.0.

- Cabinet body white aluminium RAL 9006
- Cabinet fronts grey aluminium RAL 9007
- Bar handles white aluminium RAL 9006
- Guiding bar grey aluminium RAL 9007

#### **Dressing and treatment trolley Model No. 260.0330.0**

Accessories: Table top with 3-sided guard rail, model no. 202.0020.0,  
table top cover, model no. 202.0120.0,  
side rail, model no. 202.3000.0

- Cabinet body white aluminium RAL 9006
- Cabinet fronts signal yellow RAL 1003
- Bar handles white aluminium RAL 9006
- Guiding bar signal yellow RAL 1003

#### **Dressing and treatment trolley Model No. 260.0370.0**

Accessory: Table top with 3-sided guard rail, model no. 202.0020.0

- Cabinet body grey white RAL 9002
- Cabinet fronts filigree green RAL 1207020
- Bar handles grey white 9002
- Guiding bar filigree green RAL 1207020



260.1210.0



260.1030.0

## **varimed® Functional trolleys**

### **Equipment examples**

#### **Dressing and treatment trolley Model No. 260.1210.0**

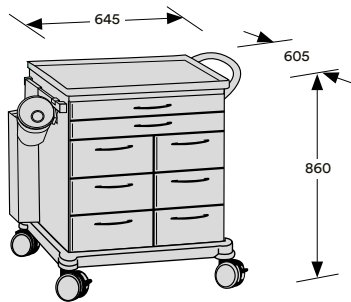
- Cabinet body white aluminium RAL 9006
- Cabinet fronts lemon green RAL 1008060
- Bar handles filigree green RAL 1207020
- Guiding bar filigree green RAL 1207020

#### **Dressing and treatment trolley Model No. 260.1030.0**

Accessory: Table top with 3-sided guard rail, model no. 202.0030.0

- Cabinet body grey aluminium RAL 9007
- Cabinet fronts light saffron orange RAL 0608530
- Bar handles grey aluminium RAL 9007
- Guiding bar grey aluminium RAL 9007

**varimed®**  
**Anaesthesia trolleys, emergency trolley**  
**fully equipped**



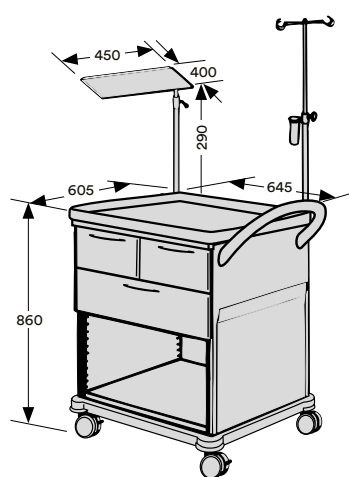
Model No. Description

---

**260.0390.0 Anaesthesia trolley**  
 with 2 drawers type 6B and 6 drawers type 3D,  
 incl. left side rail 202.3000.0, varimed medical waste bin  
 set 205.1550.0 and container for catheters 200.1380.0.  
 4 closed double castors Ø 125 mm, plastic, electro-  
 conductive, ball bearing, consisting of 2 full lock-type  
 castors and 1 with directional locking, silver grey frame  
 cover with revolving bumpers, plastic top (silver grey)  
 with profile edge, guiding bar.

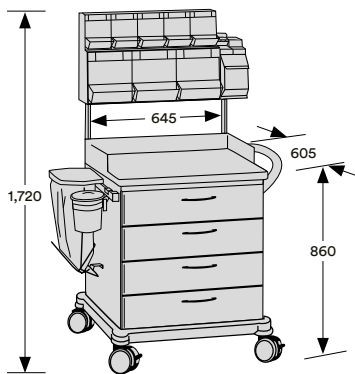
---

**260.0350.0 Dressing and treatment trolley**  
 as Anaesthesia trolley 260.0390.0,  
 but without the accessory package.



Model No.	Description
<b>260.0400.0</b>	<b>Emergency trolley</b> with 2 drawers type 3D and 1 drawer type 6D, below open compartment with bottom steel panel, bar handles vermilion RAL 2002, incl. right infusion rod 202.4700.0, with 4 hooks, height adjustable from 1,350 to 2,010 mm, left storage shelf 202.5110.0, swivel-type for defibrillator. 4 closed double castors Ø 125 mm, plastic, electro- conductive, ball bearing, consisting of 2 full lock-type castors and 1 with directional locking, silver grey frame cover with revolving bumpers, plastic top (silver grey) with profile edge, guiding bar.
<b>260.0340.0</b>	<b>Dressing and treatment trolley</b> as Emergency trolley 260.0400.0, but without the accessory package.
<b>202.3000.0</b>	<b>Side rail</b>
<b>202.0011.0</b>	<b>Oxygen tank holder, for tanks up to 5 litres</b> (202.3000.0 required)
<b>202.5520.0</b>	<b>Lead sealing strips, 1 pair</b> with 100 lead seals
<b>202.5450.0</b>	<b>Lead seals</b> 200 pieces, for lead sealing strips
<b>202.5500.0</b>	<b>CPR board <math>\text{CE}^{\text{MD}}</math></b> incl. holder, fixed to the back of trolley
<b>202.6860.0</b>	<b>Holder for storage</b> of the "Weinmann" resuscitation unit, Life Base III on carrying platform. Fixation at the guiding bar side. Holders for different "Weinmann" systems upon request.
<b>202.4381.0</b>	<b>as-medical*</b> fourfold socket outlet, with potential equalisation bar

## varimed® Endo trolley, dressing and treatment trolleys fully equipped



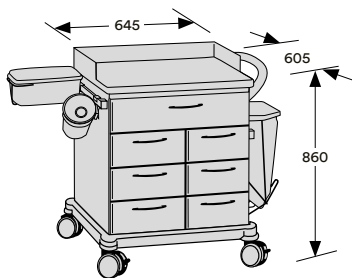
Model No. Description

### 260.0410.0 Treatment trolley

with 4 drawers type 6D, incl. syringe and cannula dispenser 202.1610.0, bracket 202.1860.1, left side rail 202.3000.0, varimed medical waste bin set 205.1550.0 and waste bag holder 202.3810.0.  
4 closed double castors Ø 125 mm, plastic, electro-conductive, ball bearing, consisting of 2 full lock-type castors and 1 with directional locking, silver grey frame cover with revolving bumpers, plastic top (silver grey) with profile edge and 3-sided guard rail 202.0020.0, guiding bar.

### 260.0310.0 Dressing and treatment trolley

as Treatment trolley 260.0410.0, but without the accessory package.

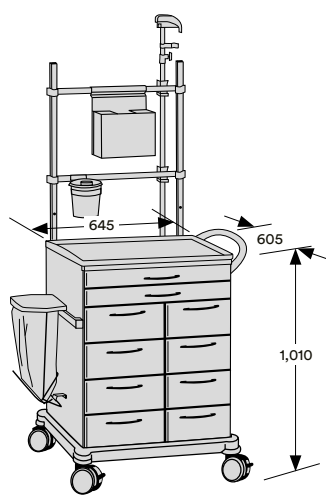


### 260.0420.0 Dressing trolley

with 1 drawer type 6D and 6 drawers type 3D, incl. left side rail 202.3000.0, varimed medical waste bin set 205.1550.0, holder 205.1350.0 and plastic tray with opening in lid 205.1460.0, right side rail 202.3000.0 and waste bag holder 202.3810.0.  
4 closed double castors Ø 125 mm, plastic, electro-conductive, ball bearing, consisting of 2 full lock-type castors and 1 with directional locking, silver grey frame cover with revolving bumpers, plastic top (silver grey) with profile edge and 3-sided guard rail 202.0020.0, guiding bar.

### 260.0330.0 Dressing and treatment trolley

as Dressing trolley 260.0420.0, but without the accessory package.



Model No.	Description
-----------	-------------

<b>260.0730.0</b>	<b>Endo trolley</b>
-------------------	---------------------

	with 2 drawers type 6B and 8 drawers type 3D, incl. accessory rack 205.4100.0, accessory rail 205.0500.0, varimed medical waste bin set 205.1550.0, container for excision forceps 202.4450.0, endoscope holder 202.4510.0, left side rail 202.3000.0 and waste bag holder 202.3810.0.
--	--

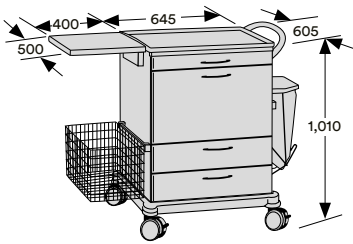
	4 closed double castors Ø 125 mm, plastic, electro-conductive, ball bearing, consisting of 2 full lock-type castors and 1 with directional locking, silver grey frame cover with revolving bumpers, plastic top (silver grey) with profile edge, guiding bar.
--	---

<b>260.0630.0</b>	<b>Dressing and treatment trolley</b>
-------------------	---------------------------------------

	as Endo trolley 260.0730.0, but without the accessory package.
--	--

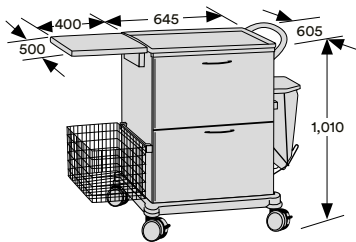
## varimed® Ward trolleys, fully equipped

Model No. Description



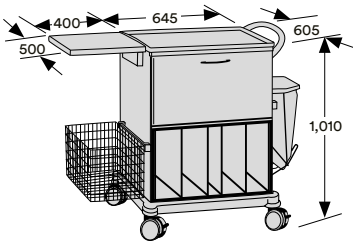
**260.3010.0 Ward trolley**  
with 1 drawer type 6B,  
1 file drawer for all common suspended file types  
(safe working load 13 kg) and 2 drawers type 6 D,  
incl. on the left 1 side rail 202.3000.0, storage shelf  
202.0044.0, basket 202.5800.0 on the right side rail  
202.3000.0 and waste bag 202.3810.0.  
4 closed double castors Ø 125 mm, plastic, electro-  
conductive, ball bearing, consisting of 2 full lock-type  
castors and 1 with directional locking, silver grey frame  
cover with revolving bumpers, plastic top (silver grey)  
with profile edge, guiding bar.

**260.3011.0 Dressing and treatment trolley**  
as Ward trolley 260.3010.0,  
but without the accessory package.



**260.3020.0 Ward trolley**  
with 2 file drawers for all common suspended file types  
(safe working load 13 kg per drawer), incl. on the left  
1 side rail 202.3000.0, storage shelf 202.0044.0,  
basket 202.5800.0, on the right side rail 202.3000.0  
and waste bag 202.3810.0.  
4 closed double castors Ø 125 mm, plastic, electro-  
conductive, ball bearing, consisting of 2 full lock-type  
castors and 1 with directional locking, silver grey frame  
cover with revolving bumpers, plastic top (silver grey)  
with profile edge, guiding bar.

**260.3021.0 Ward trolley**  
as Ward trolley 260.3020.0,  
but without the accessory package.



Model No. Description

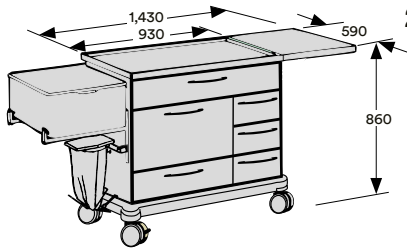
**260.3030.0 Ward trolley**  
 with 1 file drawer for all common suspended file types (safe working load 13 kg), bottom compartment for storing X-ray films, max. 350 × 520 mm H x D, incl. on the left, 1 side rail 202.3000.0, storage shelf 202.0044.0, basket 202.5800.0, on the right side rail 202.3000.0 and waste bag 202.3810.0.  
 4 closed double castors Ø 125 mm, plastic, electro-conductive, ball bearing, consisting of 2 full lock-type castors and 1 with directional locking, silver grey frame cover with revolving bumpers, plastic top (silver grey) with profile edge, guiding bar.

**260.3031.0 Dressing and treatment trolley**  
 as Ward trolley 260.3030.0,  
 but without the accessory package.

**200.6030.0 Powder coated cabinet body acc. to colour chart**

**Surcharge**

**varimed®**  
**Plaster dressing trolley, ICU trolley**  
**fully equipped**



Model No. Description

**260.1050.0 Plaster dressing trolley**

with 1 drawer type 9D with subdividers for plaster dressing, left 1 drawer type 6G and 1 drawer type 6D, on the right, 3 drawers type 3D, incl. on the left plastic basin with holder, 525 × 455 × 220 mm (W x D x H) 202.0007.0, swivel-type waste bag holder 202.0008.0 with 1 roll of waste bags (48 pcs), on the right storage shelf 202.0056.0, SST 18/10.  
 4 closed double castors Ø 125 mm, plastic, electro-conductive, ball bearing, consisting of 2 full lock-type castors and 1 with directional locking, silver grey frame cover with revolving bumpers, table top made of SST 18/10 with all around profile edge, 202.0230.0.

**260.1030.0 Dressing and treatment trolley**

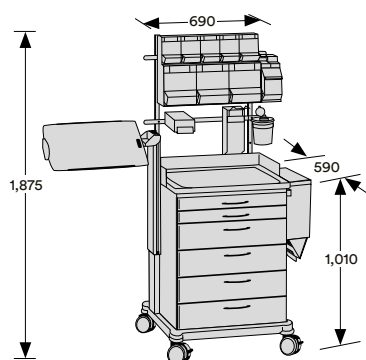
as Plaster dressing trolley 260.1050.0, but without the accessory package.

**202.0007.0 Plastic basin**

525 × 455 × 220 mm (W x D x H) with holder.

**202.0008.0 Waste bag holder**

swivel-type, with 1 roll of waste bags (48 pcs).



Model No.	Description
-----------	-------------

<b>260.0023.0</b>	<b>ICU trolley</b>
-------------------	--------------------

	with 2 drawers type 6 B and 4 drawers type 6 D, incl. accessory rack 205.4100.0, fixing bracket 205.1150.0, syringe and cannula dispenser 202.1610.0, holder for disposable gloves dispenser 205.0012.0, varimed medical waste bin set 205.1550.0, disinfectant dispenser 205.0920.0, left side adjustable tray table 202.6660.1, right side rail 202.3000.0 and waste bag holder 202.0087.0.
--	---

	4 closed double castors Ø 125 mm, plastic, electro-conductive, ball bearing, consisting of 2 full lock-type castors and 1 with directional locking, silver grey frame cover with revolving bumpers, SST 18/10 top with profile edge and 3-sided guard rail 202.0320.0.
--	--

<b>260.0016.0</b>	<b>Dressing and treatment trolley</b>
-------------------	---------------------------------------

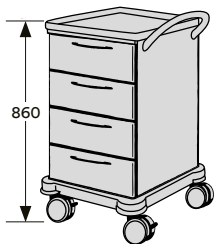
	as ICU trolley 260.0023.0, but without the accessory package.
--	---

**varimed®**

## Dressing and treatment trolleys

**Width 450 mm, height 860 mm and 1010 mm**

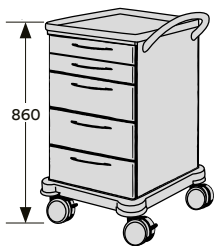
Model No.	Description
-----------	-------------



**260.0010.0 Dressing and treatment trolley**

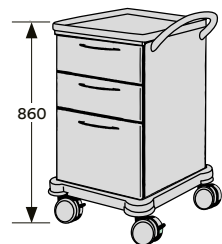
with 4 drawers type 4D.

4 closed double castors Ø 125 mm, plastic, electro-conductive, ball bearing, consisting of 2 full lock-type castors and 1 with directional locking, silver grey frame cover with revolving bumpers, plastic top (silver grey) with profile edge, guiding bar.



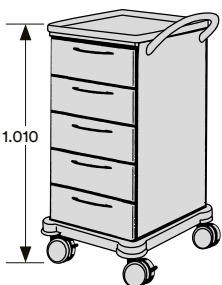
**260.0011.0 Dressing and treatment trolley**

as 260.0010.0, however with 2 drawers type 4B and 3 drawers type 4D.



**260.0020.0 Dressing and treatment trolley**

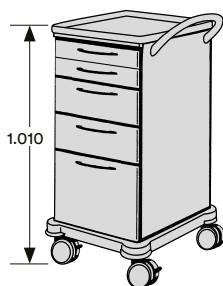
as 260.0010.0, however with 2 drawers type 4D and 1 drawer type 4G.



**260.0110.0 Dressing and treatment trolley**

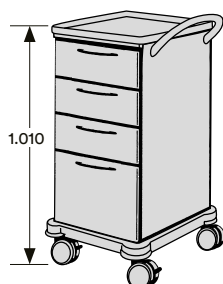
with 5 drawers type 4D.

4 closed double castors Ø 125 mm, plastic, electro-conductive, ball bearing, consisting of 2 full lock-type castors and 1 with directional locking, silver grey frame cover with revolving bumpers, plastic top (silver grey) with profile edge, guiding bar.



Model No. Description

**260.0012.0 Dressing and treatment trolley**  
as 260.0110.0, however with 2 drawers type 4B,  
2 drawers type 4D and 1 drawer type 4G.



**260.0120.0 Dressing and treatment trolley**  
as 260.0110.0, however with 3 drawers type 4D and  
1 drawer type 4G.

<b>202.0010.0</b>	<b>Table top with 3-sided guard rail, made of plastic</b>	<b>Surcharge</b>
<b>202.0110.0</b>	<b>Table top cover, SST 18/10</b>	
<b>202.0210.0</b>	<b>Table top made completely of SST 18/10</b>	<b>Surcharge</b>
<b>202.0310.0</b>	<b>Table top with 3-sided guard rail made completely of SST 18/10</b>	<b>Surcharge</b>
<b>200.6030.0</b>	<b>Powder coated cabinet body acc. to colour chart</b>	<b>Surcharge</b>



**varimed®**  
**Dressing and treatment trolleys**  
**Width 600 mm, height 860 mm**

Model No. Description



**260.0310.0 Dressing and treatment trolley**  
 with 4 drawers type 6D.  
 4 closed double castors Ø 125 mm, plastic, electro-  
 conductive, ball bearing, consisting of 2 full lock-type  
 castors and 1 with directional locking, silver grey frame  
 cover with revolving bumpers, plastic top (silver grey)  
 with profile edge, guiding bar.



**260.0013.0 Dressing and treatment trolley**  
 as 260.0310.0, however with 2 drawers type 6B and  
 3 drawers type 6D.



**260.0320.0 Dressing and treatment trolley**  
 as 260.0310.0, however with 2 drawers type 6D and  
 1 drawer type 6G.



**260.0330.0 Dressing and treatment trolley**  
 as 260.0310.0, however with 1 drawer type 6D and  
 6 drawers type 3D.



**260.0340.0 Dressing and treatment trolley**  
 as 260.0310.0, however with 2 drawers type 3D and  
 1 drawer type 6D, below open compartment with  
 bottom steel panel.

**varimed®**  
**Dressing and treatment trolleys**  
**Width 600 mm, height 860 mm**

Model No. Description



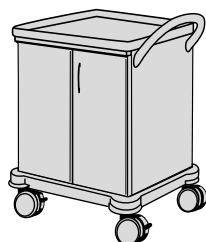
**260.0350.0 Dressing and treatment trolley**  
 as 260.0310.0, however with 2 drawers type 6B and  
 6 drawers type 3D.



**260.0360.0 Dressing and treatment trolley**  
 as 260.0310.0, however with 1 drawer type 6D,  
 1 hinged door, LH hinges, 1 adjustable plastic-laminated  
 shelf and 3 drawers type 3D.



**260.0370.0 Dressing and treatment trolley**  
 as 260.0310.0, however with 2 drawers type 3D,  
 2 hinged doors and 1 adjustable plastic-laminated shelf.



**260.0380.0 Dressing and treatment trolley**  
 as 260.0310.0, however with 2 hinged doors,  
 2 adjustable plastic-laminated shelves.

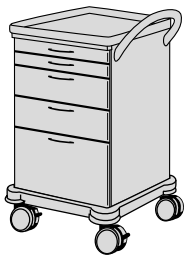


**260.0040.0 Dressing and treatment trolley**  
 as 260.0310.0, however with 2 drawers type 6B,  
 1 drawer type 6D and 1 drawer type 6G.

Model No.	Description	
202.0020.0	Table top with 3-sided guard rail, made of plastic	Surcharge
202.0120.0	Table top cover, SST 18/10	
202.0220.0	Table top made completely of SST 18/10	Surcharge
202.0320.0	Table top with 3-sided guard rail made completely of SST 18/10	Surcharge
200.6030.0	Powder coated cabinet body acc. to colour chart	Surcharge

**varimed®**  
**Dressing and treatment trolleys**  
**Width 600 mm, height 1010 mm**

Model No. Description



**260.0610.0 Dressing and treatment trolley**  
 with 2 drawers type 6B, 2 drawers type 6D and  
 1 drawer type 6G.  
 4 closed double castors Ø 125 mm, plastic, electro-  
 conductive, ball bearing, consisting of 2 full lock-type  
 castors and 1 with directional locking, silver grey frame  
 cover with revolving bumpers, plastic top (silver grey)  
 with profile edge, guiding bar.



**260.0016.0 Dressing and treatment trolley**  
 as 260.0610.0, however with 2 drawers type 6B and  
 4 drawers type 6D.



**260.0017.0 Dressing and treatment trolley**  
 as 260.0610.0, however with 3 drawers type 6D and  
 1 drawer type 6G.



**260.0620.0 Dressing and treatment trolley**  
 as 260.0610.0, however with 1 drawer type 6D and  
 8 drawers type 3D.



**260.0630.0 Dressing and treatment trolley**  
 as 260.0610.0, however with 2 drawers type 6B and  
 8 drawers type 3D.

Model No. Description

---



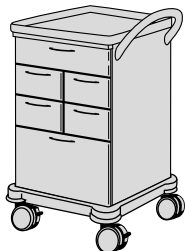
**260.0640.0 Dressing and treatment trolley**  
as 260.0610.0, however with 2 drawers type 6B,  
1 drawer type 6D and 6 drawers type 3D.

---



**260.0650.0 Dressing and treatment trolley**  
as 260.0610.0, however with 2 drawers type 6B,  
4 drawers type 3D and 1 drawer type 6G.

---



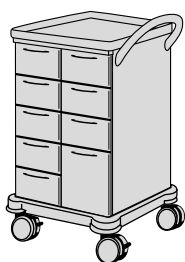
**260.0015.0 Dressing and treatment trolley**  
as 260.0610.0, however with 1 drawers type 6D,  
4 drawers type 3D and 1 drawer type 6G.

**varimed®**  
**Dressing and treatment trolleys**  
**Width 600 mm, height 1010 mm**

Model No. Description



**260.0660.0** Dressing and treatment trolley  
 as 260.0610.0, however with  
 5 drawers type 6D.



**260.0670.0** Dressing and treatment trolley  
 as 260.0610.0, however with  
 5 drawers type 3D on the left,  
 3 drawers type 3D and 1 drawer type 3G on the right.



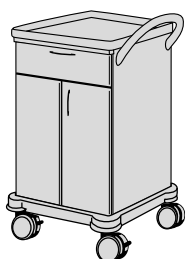
**260.0680.0** Dressing and treatment trolley  
 as 260.0610.0, however with  
 1 drawer type 6D, 1 hinged door, LH hinges,  
 1 adjustable plastic-laminated shelf and  
 4 drawers type 3D.



**260.0690.0** Dressing and treatment trolley  
 as 260.0610.0, however with  
 2 drawers type 6D, on the left: 1 hinged door,  
 LH hinges, 1 adjustable plastic-laminated shelf and  
 on the right: 3 drawers type 3D



**260.0700.0** Dressing and treatment trolley  
 as 260.0610.0, however with  
 2 drawers type 6B, 1 drawer type 6D,  
 2 hinged doors and 1 adjustable plastic-laminated shelf.



Model No.	Description	
<b>260.0710.0</b>	<b>Dressing and treatment trolley</b> as 260.0610.0, however with 1 drawer type 6D, 2 hinged doors and 1 adjustable plastic-laminated shelf.	
<b>202.0020.0</b>	<b>Table top with 3-sided guard rail, made of plastic</b>	<b>Surcharge</b>
<b>202.0120.0</b>	<b>Table top cover, SST 18/10</b>	
<b>202.0220.0</b>	<b>Table top made completely of SST 18/10</b>	<b>Surcharge</b>
<b>202.0320.0</b>	<b>Table top with 3-sided guard rail made completely of SST 18/10</b>	<b>Surcharge</b>
<b>200.6030.0</b>	<b>Powder coated cabinet body acc. to colour chart</b>	<b>Surcharge</b>

**varimed®**  
**Dressing and treatment trolleys**  
**Width 900 mm, height 860 mm**

Model No. Description



**260.1010.0 Dressing and treatment trolley**  
 with 2 drawers type 4D, 2 hinged doors and  
 1 adjustable plastic-laminated shelf.  
 4 closed double castors Ø 125 mm, plastic, electro-  
 conductive, ball bearing, consisting of 2 full lock-type  
 castors and 1 with directional locking, silver grey frame  
 cover with revolving bumpers, plastic top (silver grey)  
 with profile edge, guiding bar.



**260.1020.0 Dressing and treatment trolley**  
 as 260.1010.0, however with 2 drawers type 4B on the  
 left, 1 of which has a pull-out shelf, 1 hinged door,  
 LH hinges, 1 adjustable plastic-laminated shelf,  
 and on the right, 4 drawers type 4D.



**260.1030.0 Dressing and treatment trolley**  
 as 260.1010.0, however with  
 1 drawer type 9D, 1 drawer type 6G and  
 1 drawer type 6D on the left and  
 3 drawers Type 3D on the right.



**260.1040.0 Dressing and treatment trolley**  
 as 260.1010.0, however with  
 4 drawers type 9D.

**varimed®**  
**Dressing and treatment trolleys**  
**Width 900 mm, height 1010 mm**

Model No. Description



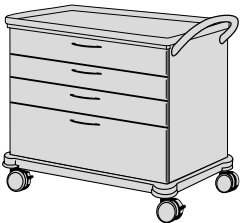
**260.1210.0 Dressing and treatment trolley**  
 with 2 drawers type 9D, 3 drawers type 4D on the left, 1 drawer type 4D and 1 drawer Type 4G on the right. 4 closed double castors Ø 125 mm, plastic, electro-conductive, ball bearing, consisting of 2 full lock-type castors and 1 with directional locking, silver grey frame cover with revolving bumpers, plastic top (silver grey) with profile edge, guiding bar.



**260.1220.0 Dressing and treatment trolley**  
 as 260.1210.0, however with 2 drawers type 4B on the left, 1 drawer type 4D, 1 hinged door, LH hinges, 1 adjustable plastic-laminated shelf and 5 drawers type 4D on the right.



**260.0018.0 Dressing and treatment trolley**  
 as 260.1210.0, however with 2 drawers type 9D, 1 drawer type 4D and 1 drawer type 4 G on the left and 1 drawer type 4D and 1 drawer type 4 G on the right.



**260.0019.0 Dressing and treatment trolley**  
 as 260.1210.0, however with 3 drawers type 9D and 1 drawer type 9G.

**varimed®**

**Dressing and treatment trolleys**  
**Width 900 mm, height 1010 mm**

Model No. Description

---



**260.0021.0 Dressing and treatment trolley**  
as 260.1210.0, however with  
2 drawers type 9D and 6 drawers type 4D.

---



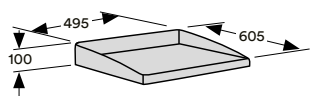
**260.0022.0 Dressing and treatment trolley**  
as 260.1210.0, however with  
2 drawers type 9D, 3 drawers type 6D on the left and  
3 drawers type 3D on the right.

Model No.	Description	
202.0030.0	Table top with 3-sided guard rail, made of plastic	Surcharge
202.0130.0	Table top cover, SST 18/10	
202.0230.0	Table top made completely of SST 18/10	Surcharge
202.0330.0	Table top with 3-sided guard rail made completely of SST 18/10	Surcharge
200.6030.0	Powder coated cabinet body acc. to colour chart	Surcharge

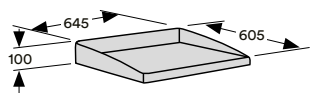
## varimed® Table top variants

Model No. Description

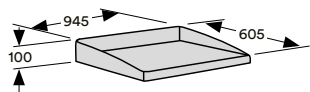
**202.0010.0 Table top**  
made of plastic, silver grey, with 3-sided guard rail,  
for functional trolley 450 mm in width. **Surcharge**



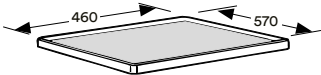
**202.0020.0 Table top**  
plastic, silver grey, with 3-sided guard rail,  
for functional trolley 600 mm in width. **Surcharge**



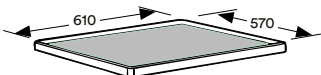
**202.0030.0 Table top**  
made of plastic, silver grey, with 3-sided guard rail,  
for functional trolley 900 mm in width. **Surcharge**



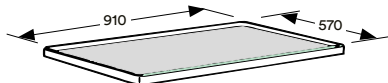
**202.0110.0 Table top cover**  
made of SST 18/10,  
for functional trolley 450 mm in width.

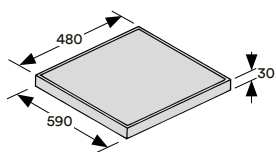


**202.0120.0 Table top cover**  
made of SST 18/10,  
for functional trolley 600 mm in width.



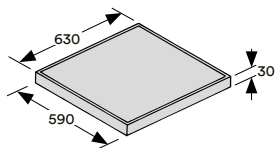
**202.0130.0 Table top cover**  
made of SST 18/10,  
for functional trolley 900 mm in width.



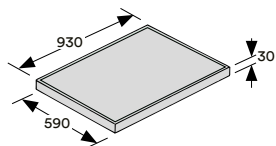


Model No. Description

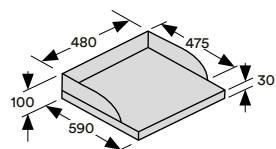
**202.0210.0** Table top made of SST 18/10 with all around profile edge, for functional trolley 450 mm in width. **Surcharge**



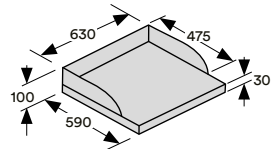
**202.0220.0** Table top made of SST 18/10 with all around profile edge, for functional trolley 600 mm in width. **Surcharge**



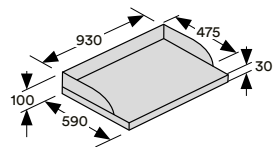
**202.0230.0** Table top made of SST 18/10 with all around profile edge, for functional trolley 900 mm in width. **Surcharge**



**202.0310.0** Table top made of SST 18/10 with all around profile edge and 3-sided guard rail, for functional trolley 450 mm in width. **Surcharge**



**202.0320.0** Table top made of SST 18/10 with all around profile edge and 3-sided guard rail, for functional trolley 600 mm in width. **Surcharge**



**202.0330.0** Table top made of SST 18/10 with all around profile edge and 3-sided guard rail, for functional trolley 900 mm in width. **Surcharge**



SCHMITZ



## **varimed® ISO trolleys**

### **Our experts for ward logistics.**

SCHMITZ's market-leading ISO trolleys offer the perfect assistance for everyday clinical practice. Hardwearing and flexible – varimed® ISO trolleys are used in almost every German clinic.

#### **Optimal organisation**

A customised range of options ensures systems perfectly tailored to your structures – we organise your workplace.

#### **High flexibility**

Different heights, different drawer configurations, full-size or half-size ISO modules – the SCHMITZ ISO trolley adapts to your daily work processes.

#### **Hygiene taken a step further**

Removable drawer panels and closed surfaces enable rapid, complete and simple cleaning – a cleaning standard redefined by SCHMITZ.

#### **Perfect hygiene standard**

Nearly complete elimination of germs thanks to antimicrobial coatings – no chance for multidrug-resistant pathogens.

#### **As individual as your requirements**

Our colour and configuration concept guarantees ideally matched design options.







## **varimed® ISO trolleys**

### **Wall protecting wheels protect the trolleys, furniture and the walls from damage**

Closed double easy-roll ball-bearing castors, non-contact marking and abrasion-free quality. Easy-to-manoeuvre, silent ISO trolleys.

### **Side rails (202.0016.0)**

for easy attachment of accessories.

### **Hidden drawer slides and full pullout function for optimal hygiene**

Drawers with automatic pull-in function and Airmatic shock absorber system.

Easy to remove front makes cleaning simple

### **Ergonomic guiding bar in two models:**

- Straight guiding bar (as shown on the left)
- Curved model

The guiding bar can be fitted to the right or left side or can be left off.

### **Germs stand no chance**

Our special antimicrobial coating fights any local germs effectively, leaving them no place to spread.

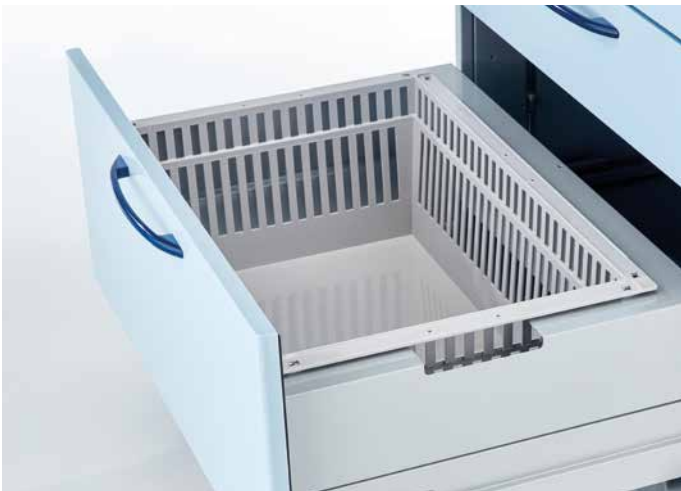
For more information on antimicrobial coating, see pages 168 and 169.

### **Surrounding silicone sealing profile, disinfectant-proof**

Opening angle of the doors max. 125°.

### **ISO rail walls**

allow for flexible placement of SCHMITZ ISO modules.



## **varimed® ISO trolleys**

### **Practical design**

The drawers can be fitted with one full-size ISO module or two half-size ISO modules.

### **ISO trolley models with a height of 850 mm or 1,070 mm, tailored to your processes**

For unequalled flexibility: ISO trolleys 850 mm high can be fitted with up to 8 full-size or 16 half-size ISO modules; ISO trolleys 1,070 mm high can be fitted with up to 11 full-size or 22 half-size ISO modules.

An overview of the drawer layout options for full-size and half-size ISO modules can be found on page 167.

### **Easy exchange of modules**

for fast replenishment of ISO trolleys.

The modules can be removed without tilting or tipping.

**All ISO module drawers have recessed grips,**  
making it much easier to remove the modules.

### **Take safety and security even further!**

Innovative lock designs with state-of-the-art technology.



**varimed®**  
**ISO trolleys**  
**Width 720 mm, height 850 mm**

Model No. Description



**260.0025.0 ISO Trolley**  
 with 4 x drawers for modules of max. 100 mm height.  
 4 closed double castors Ø 125 mm, plastic,  
 ball bearing, 2 of which electroconductive,  
 2 full lock-type castors, and 1 with directional locking,  
 silver grey frame cover with revolving bumpers,  
 plastic top (silver grey) with profile edge, guiding bar.  
**Modules not included.**



**260.0026.0 ISO Trolley**  
 as ISO trolley 260.0025.0, however with 2 x drawers  
 for modules of max. 100 mm height and 1 x drawer  
 for modules of max. 200 mm height.  
**Modules not included.**



**260.0027.0 ISO Trolley**  
 as ISO trolley 260.0025.0, however with 2 x drawers  
 for modules of max. 50 mm height and 3 x drawers  
 for modules of max. 100 mm height.  
**Modules not included.**



**varimed®**  
**ISO trolleys**  
**Width 720 mm, height 850 mm**

Model No. Description



**260.0028.0 ISO Trolley**  
 as ISO trolley 260.0025.0, however with 2 x drawers for modules of max. 50 mm height, 1 x drawer for modules of max. 100 mm height and 1 x drawer for modules of max. 200 mm height.  
**Modules not included.**



**260.0029.0 ISO Trolley**  
 as ISO trolley 260.0025.0, however with 2 x drawers for modules of max. 100 mm height and 4 x drawers for half modules of max. 100 mm height.  
**Modules not included.**



**260.0030.0 ISO Trolley**  
 as ISO trolley 260.0025.0, however with 2 x drawers for modules of max. 100 mm height and 2 x drawers for half modules of max. 200 mm height.  
**Modules not included.**



**260.0038.0 ISO Trolley**  
 as ISO trolley 260.0025.0, however with 2 hinged doors. Prepared for installation of ABS rail walls for full-size ISO modules (e.g. model no. 202.0082.0 from SCHMITZ or those of another manufacturer). We recommend the use of stops 202.0072.0 (pair) for full-size ISO modules as accessory.  
**Modules not included.**



ISO trolley 260.0036.0 with accessories  
202.0036.0 and 200.6030.0



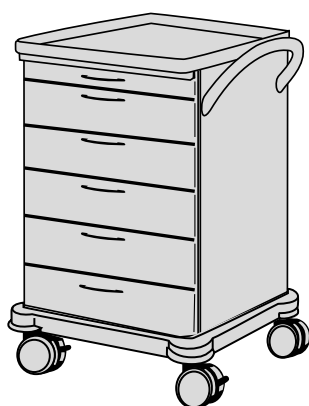
ISO trolley 260.0037.0



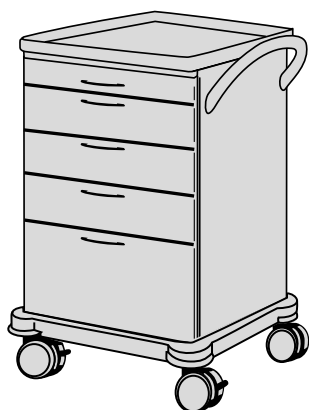
ISO trolley 260.0039.0  
with accessories 202.7560.1 and 200.6030.0

**varimed®**  
**ISO trolleys**  
**Width 720 mm, height 1,070 mm**

Model No.	Description
-----------	-------------



<b>260.0031.0</b>	<b>ISO Trolley</b> with 1 x drawer for modules of max. 50 mm height and 5 x drawers for modules of max. 100 mm height. 4 closed double castors Ø 125 mm, plastic, ball bearing, 2 of which electroconductive, 2 full lock-type castors, and 1 with directional locking, silver grey frame cover with revolving bumpers, plastic top (silver grey) with profile edge, guiding bar. <b>Modules not included.</b>
-------------------	--



<b>260.0032.0</b>	<b>ISO Trolley</b> as ISO trolley 260.0031.0, however with 1 x drawer for modules of max. 50 mm height, 3 x drawers for modules of max. 100 mm height and 1 x drawer for modules of max. 200 mm height. <b>Modules not included.</b>
-------------------	--



<b>260.0033.0</b>	<b>ISO Trolley</b> as ISO trolley 260.0031.0, however with 3 x drawers for modules of max. 50 mm height and 4 x drawers for modules of max. 100 mm height. <b>Modules not included.</b>
-------------------	---

**varimed®**

**ISO trolleys**

**Width 720 mm, height 1,070 mm**

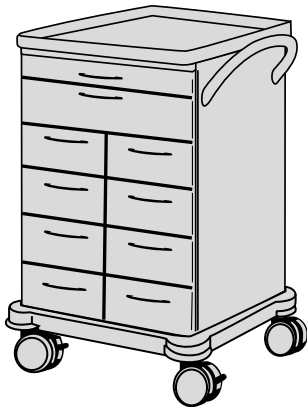
Model No.	Description
-----------	-------------



**260.0034.0 ISO Trolley**

as ISO trolley 260.0031.0, however with 3 x drawers for modules of max. 50 mm height, 2 x drawers for modules of max. 100 mm height and 1 x drawer for modules of max. 200 mm height.

**Modules not included.**



**260.0035.0 ISO Trolley**

as ISO trolley 260.0031.0, however with 1 x drawer for modules of max. 50 mm height, 1 x drawer for modules of max. 100 mm height and 8 x drawers for half modules of max. 100 mm height.

**Modules not included.**



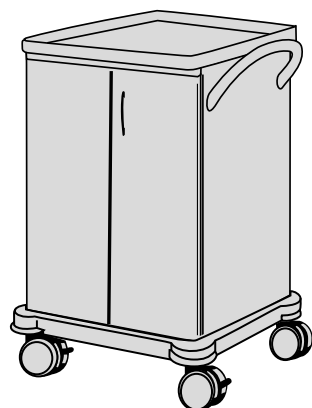
Model No.	Description
-----------	-------------

---

**260.0036.0 ISO Trolley**

as ISO trolley 260.0031.0, however with 1 x drawer for modules of max. 50 mm height, 2 x drawers for modules of max. 100 mm height, 2 x drawers for half modules of max. 100 mm height and 2 x drawers for half modules of max. 200 mm height.

**Modules not included.**




---

**260.0037.0 ISO Trolley**

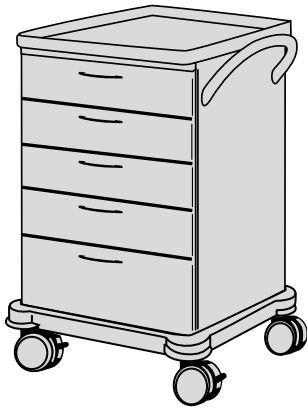
as ISO trolley 260.0031.0, however with 2 hinged doors. Prepared for installation of ABS rail walls for full-size ISO modules (e.g. model no. 202.0086.0 from SCHMITZ or those of another manufacturer). We recommend the use of stops 202.0072.0 (pair) for full-size ISO modules as accessory.

**Modules not included.**

**varimed®**  
**ISO trolleys**  
**Width 720 mm, height 1,070 mm**

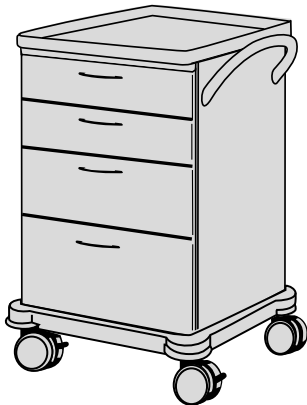
Model No. Description

---



**260.0050.0 ISO Trolley**  
 as ISO trolley 260.0031.0, however with 5 x drawers  
 for modules of max. 100 mm height, **lower drawer**  
**with raised front panel.**  
**Modules not included.**

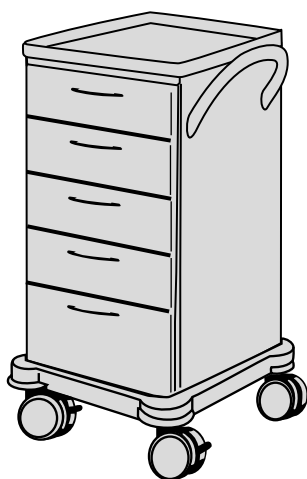
---



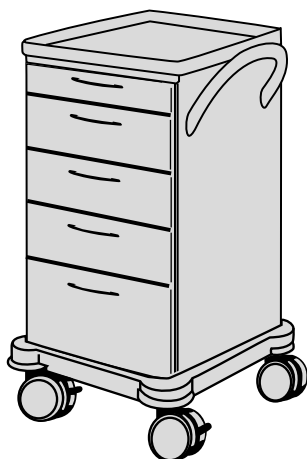
**260.0051.0 ISO Trolley**  
 as ISO trolley 260.0031.0, 3 x drawers for modules  
 of max. 100 mm height, **of which the 3<sup>rd</sup> with raised**  
**front panel**, and 1 x drawer for modules of  
 max. 200 mm height.  
**Modules not included.**

**varimed®**  
**ISO trolleys**  
**Width 360 mm, height 1,070 mm**

Model No.	Description
-----------	-------------



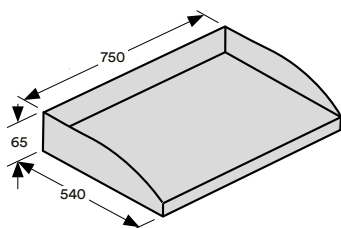
<b>260.0052.0</b>	<b>ISO Trolley</b> as ISO trolley 260.0031.0, however, <b>360 mm body width</b> , with 5 x drawers for half modules of max. 100 mm height, <b>lower drawer with raised front panel.</b> <b>Modules not included.</b>
-------------------	---



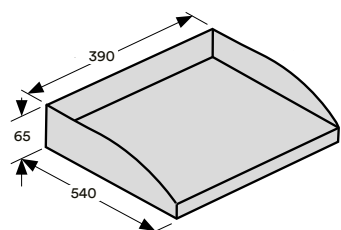
<b>260.0039.0</b>	<b>ISO Trolley</b> as ISO trolley 260.0031.0, however, <b>360 mm body width</b> , with 1 x drawer for half modules of max. 50 mm height, 3 x drawers for half modules of max. 100 mm height and 1 x drawer for half modules of max. 200 mm height. <b>Modules not included.</b>
-------------------	--

## varimed® ISO trolleys – table top variants

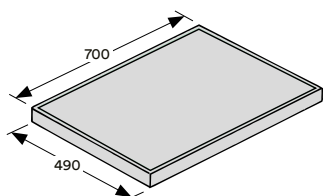
Model No. Description



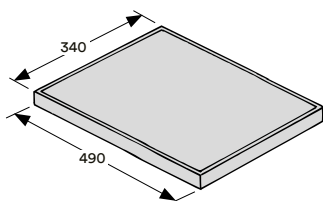
**202.0033.0 Table top**  
made of plastic, silver grey, with 3-sided guard rail,  
for ISO trolleys 720 mm in width. **Surcharge**



**202.0042.0 Table top**  
made of plastic, silver grey, with 3-sided guard rail,  
for ISO trolleys 360 mm in width. **Surcharge**

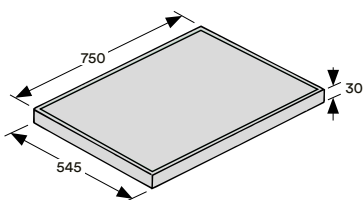


**202.0034.0 Table top cover**  
SST 18/10, for ISO trolleys 720 mm in width.



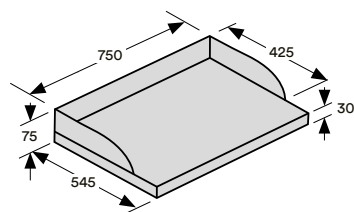
Model No. Description

**202.0045.0** **Table top cover**  
SST 18/10, for ISO trolleys 360 mm in width.



**202.0035.0** **Table top made of SST 18/10**  
with all around profile edge,  
for ISO trolleys 720 mm in width.

**Surcharge**



**202.0036.0** **Table top made of SST 18/10**  
with 3-sided guard rail,  
for ISO trolleys 720 mm in width.

**Surcharge**

## varimed® Accessories for fixed mounting to functional and ISO trolleys

Model No. Description



- 202.7560.1 Central lock**  
for drawers (including two drawers next to each other). Can be used to lock all drawers or individual drawers, please specify when ordering. The same key operates several functional trolleys or ISO trolleys as standard.  
No subsequent fitting possible.  
**Not suitable for models with hinged doors or open compartments.**  
**Drawers for half modules of 50 mm height cannot be locked!**

- 202.0005.0 Set of spare keys**  
(w/o ill.) 5 x additional keys for the central lock 202.7560.1.



- 202.0037.0 Electronic lock (PIN)**  
For opening and closing all drawers in ISO or functional trolleys by entering a PIN on the externally mounted keypad; installation on right side only. Power supply via replaceable AA batteries installed in the trolley.  
Can be used to lock all drawers or individual drawers, please specify when ordering.  
No subsequent fitting possible.  
**Cannot be installed in ISO trolleys of 360 mm width.**  
**Cannot be installed in trolleys with two drawers next to each other in the top position.**  
**Not suitable for models with hinged doors or open compartments.**  
**Drawers for half modules of 50 mm height cannot be locked!**



Model No. Description

---

**202.0038.0 Electronic lock (RFID – MIFARE)**

For opening and closing all drawers in ISO or functional trolleys with a reader for user cards or key fobs.

Data exchange via MIFARE encryption. The reader is externally mounted on the trolley's right side.

Power supply via replaceable AA batteries installed in the trolley. Can be used to lock all drawers or individual drawers, please specify when ordering.

No subsequent fitting possible.

**Cannot be installed in ISO trolleys of 360 mm width.**

**Cannot be installed in trolleys with two drawers next to each other in the top position.**

**Not suitable for models with hinged doors or open compartments.**

**Drawers for half modules of 50 mm height cannot be locked!**

Can only be used with card set 202.0065.0 and the user card 202.0057 or the RFID key fob 202.0058.0.



**Important:**

User card or key fob not included; please order separately! If you are already using RFID transponders from another manufacturer, please check in advance whether they are compatible with our systems. Please contact us!

## varimed® Accessories for fixed mounting to functional and ISO trolleys

Model No.	Description
-----------	-------------

<b>202.0073.0</b>	<b>Electronic lock (RFID – LEGIC)</b>
-------------------	---------------------------------------

(w/o ill.)	
------------	--

	<p>For opening and closing all drawers in ISO or functional trolleys with a reader for user cards or key fobs. Data exchange via LEGIC encryption. The reader is externally mounted on the trolley's right side. Power supply via replaceable AA batteries installed in the trolley. Can be used to lock all drawers or individual drawers, please specify when ordering. No subsequent fitting possible.</p> <p><b>Cannot be installed in ISO trolleys of 360 mm width.</b> <b>Cannot be installed in trolleys with two drawers next to each other in the top position.</b> <b>Not suitable for models with hinged doors or open compartments.</b> <b>Drawers for half modules of 50 mm height cannot be locked!</b></p> <p>Can only be used with card set 202.0065.0 and the user card 202.0057 or the RFID key fob 202.0058.0.</p>
--	---



**Important:**

User card or key fob not included; please order separately! If you are already using RFID transponders from another manufacturer, please check in advance whether they are compatible with our systems. Please contact us!



<b>202.0057.0</b>	<b>User card</b>
-------------------	------------------

	<p>One user card for opening and closing ISO and functional trolleys in combination with an electronic RFID lock 202.0038.0 or 202.0073.0.</p>
--	--



<b>202.0058.0</b>	<b>RFID key fob</b>
-------------------	---------------------

	<p>One key fob for opening and closing functional and ISO trolleys in combination with an electronic RFID lock 202.0038.0 or 202.0073.0.</p>
--	--

Model No.	Description
-----------	-------------



<b>202.0065.0</b>	<p><b>Set including master card, update card, service key</b> One card set consisting of one master card, update card and service key. Required to install and set up electronic RFID locks 202.0038.0 and 202.0073.0. <b>If the electric lock 202.0038.0 or 202.0073.0 is fitted to several trolleys in one order, 1 pc. card set 202.0065.0 is sufficient.</b></p>
-------------------	--



<b>202.0069.0</b>	<p><b>Set of programming cards</b> Optional; for use of various operating modes with electronic RFID locks 202.0038.0 and 202.0073.0, e.g. to activate and deactivate acoustic signals or to reset the locks to the factory settings. <b>If the electric lock 202.0038.0 or 202.0073.0 is fitted to several trolleys in one order, 1 pc. card set 202.0069.0 is sufficient.</b></p>
-------------------	---



<b>202.0070.0</b>	<p><b>Emergency opener for PIN lock</b> For unlocking drawers when using an electronic lock with PIN 202.0037.0 in case of empty batteries in ISO or functional trolley. Requires a separate power source, e.g. a USB power bank. <b>If the electric lock 202.0037.0 is fitted to several trolleys in one order, 1 pc. emergency opener 202.0070.0 is sufficient.</b></p>
-------------------	---

## varimed®

### Accessories for fixed mounting to functional and ISO trolleys



Model No.	Description
202.5520.0	<b>Sealing strips (pair)</b> powder-coated vermilion steel plate (RAL 2002), with 100 lead seals, <b>for emergency trolley 260.0400.0.</b>
202.5530.0 (w/o ill.)	<b>Sealing strips (pair)</b> powder-coated vermilion steel plate (RAL 2002), with 100 seals. <b>For functional trolleys 860 mm high, with divided drawers.</b>
202.5540.0 (w/o ill.)	<b>Sealing strips (pair)</b> powder-coated vermilion steel plate (RAL 2002), with 100 lead seals. <b>For functional trolleys 1,010 mm high, with divided drawers.</b>
202.5550.0 (w/o ill.)	<b>Sealing strip (1 pc.)</b> powder-coated vermilion steel plate (RAL 2002), with 100 lead seals, right hand side mounting. <b>For functional trolleys 860 mm high, with full-width drawers.</b>
202.5560.0 (w/o ill.)	<b>Sealing strip (1 pc.)</b> powder-coated vermilion steel plate (RAL 2002), with 100 lead seals, right hand side mounting. <b>For functional trolleys 1,010 mm high, with full-width drawers.</b>
202.5450.0 (w/o ill.)	<b>Lead seals</b> for lead sealing strip, 200 pcs.



Model No. Description

**202.0014.0 Sealing strip (1 pc.)**  
powder-coated vermilion steel plate (RAL 2002),  
with 100 lead seals, right hand side mounting.  
**For ISO trolleys 1,070 mm high.**

**202.0059.0 Sealing strips (pair)**  
(w/o ill.) powder-coated vermilion steel plate (RAL 2002),  
with 100 lead seals.  
**For ISO trolleys 1,070 mm high.**

**202.0060.0 Sealing strip (1 pc.)**  
(w/o ill.) powder-coated vermilion steel plate (RAL 2002),  
with 100 lead seals, right hand side mounting.  
**For ISO trolleys 850 mm high.**

**202.0061.0 Sealing strips (pair)**  
(w/o ill.) powder-coated vermilion steel plate (RAL 2002),  
with 100 lead seals.  
**For ISO trolleys 850 mm high.**



**202.0091.0 Multifunctional partition wall**  
powder-coated white aluminium RAL 9006, for using  
the functional trolley to separate clean and unclean  
zones. With 2 side rails 202.3000.0 at the front and  
1 hook rail at the rear. The side rails can be mounted  
flexibly at the front and rear.  
Total height approx. 700 mm.  
**Only for functional trolleys with a width of 450 mm!**



## varimed® Accessories for fixed mounting to functional and ISO trolleys

Model No. Description



**202.4600.0 Framed label plate**  
with magnetic fixing for drawer fronts and hinged doors, 10 pcs

**202.4650.0 Paper labels**  
white, for 202.4600.0, 18 pcs

**202.4660.0 Paper labels**  
blue, for 202.4600.0, 18 pcs



**202.1850.1 Bracket for dressing or syringe and cannula dispenser**  
Steel sheet powder-coated white aluminium (RAL 9006) for mounting dressing and syringe/ cannula dispenser, with fixation, for functional trolleys of 450 mm width.

**202.1860.1 Bracket for dressing or syringe and cannula dispenser**  
as 202.1850.1,  
but for functional trolleys of 600 mm or 900 mm width and ISO trolleys of 720 mm width.

No combination of brackets 202.1850.1 and 202.1860.1 and multifunctional rail systems for mounting to the back of the trolley.

Model No. Description



**202.1610.0 Syringe and cannula dispenser**  
730 × 240 × 410 mm (W x D x H),  
grey plastic housing, with 3 large and 5 small  
crystal-clear boxes, First-in/First-out system,  
with twin set swab moistener and dispenser.



**202.1640.0 Syringe and cannula dispenser**  
600 × 200 × 410 mm (W x D x H),  
grey plastic housing, with 3 large and 5 small  
crystal-clear boxes, First-in/First-out system,  
without twin set.



**202.1650.0 Syringe and cannula dispenser**  
730 × 240 × 410 mm (W x D x H),  
grey plastic housing, with 3 large and 5 small  
crystal-clear boxes, Last-in/First-out system,  
with twin set swab moistener and dispenser.



**202.1660.0 Syringe and cannula dispenser**  
600 × 200 × 410 mm (W x D x H),  
grey plastic housing, with 3 large boxes 202.0001.0  
and 5 small boxes 202.0003.0, Last-in/First-out system,  
without twin set.



Further options for  
different combinations  
of boxes can be found  
on page 113.

(disposables not included)

## varimed® Accessories for fixed mounting to functional and ISO trolleys

Model No. Description



- 202.5260.1 Pre-heating system € for drawer type 6 D**  
according to Low Voltage Directive 2014/35/EU for drawer Type 6 D. Setting and monitoring of temperature via display, adjustable up to max. 40 °C /104 °F, for instruments (e.g. specula). With time display and timer that allows setting when the preheater should automatically switch on and off. Input supply voltage 100 - 240 V, 50/60 Hz, average power consumption 20 Watt, cable with mains plug, approx. 5 m long. The effective depth of the preheated drawer is reduced to 310 mm. Can only be fitted in the top 2 drawers type 6 D of a functional trolley. A maximum of 2 drawers type 6 D can be fitted per functional trolley. The pre-heating system is always installed either in the top drawer or in the top two drawers.



- 202.0006.0 Holder for ultrasound gel**  
made of SST, 320 × 165 mm (L x W).  
For storing ultrasound gel bottles in a type 6 D drawer with pre-heating system 202.5260.1, suitable for up to 4 bottles.



- 202.6660.1 Adjustable tray table**  
570 × 370 mm (W x D) white, with fixation, height adjustable via telescope, horizontal height adjustment from 850 to 1220 mm, swivelling around 360° in 35° steps.  
Swivel-in and swivel-out function. Fixed to the base of the trolley. Safe working load: 5 kg.  
(no subsequent fitting)  
**Only for functional trolleys.**

Model No.	Description
<b>202.4381.0</b> (w/o ill.)	<p><b>as-medical* C€</b>  <b>Medical fourfold socket outlet</b>  fourfold socket outlet with Schuko sockets type F for medical technical devices fulfilling the requirements of the standard IEC 60601-1, incl. holder, detachable.  Dimensions: 530 × 65 × 72 mm (L x W x H).  A locking clamp, solely adjustable by tool, protects from unintentional removing the power supply plugs.  Equipped with 4 connection pins to be connected with the central potential equalisation.  Max. total load: 2500 Watts two-pole fuse (T6 3 A)  Supply line: 3 m incl. right-angle plug  This multiple-socket outlet fulfils the requirements according to DIN EN 60601-1 and is also released for being operated in areas of application group 0/1/2 according to VDE definition 0100-710.  Mounted to back panel of trolley.</p>
<b>202.4382.0</b>	<p><b>as-medical* C€ fourfold socket outlet for medical technical devices</b>, similar to 202.4381.0, but without potential equalization.  Dimensions: 400 × 65 × 72 mm (L x W x H).  Mounted to the back panel of the trolley.</p>
<b>202.4390.0</b> (w/o ill.)	<p><b>Sixfold socket outlet* C€</b>  with Schuko sockets type F, 250 V AC, max. 16 A, dimensions: 432 × 70 × 45 mm (L x W x H), made of anodised aluminium profile with rounded plastic edges, black, with convenient cord storage  max. total load: 3600 Watts  Supply line: 1.75 m HO5VV – F 1.5mm<sup>2</sup>, incl. Schuko right angle plug  This multiple-socket outlet must not be used for medical electrical equipment!  No operation inside areas of application group 2.  Mounted to back panel of trolley.</p>





## varimed® Accessories for fixed mounting to functional and ISO trolleys

Model No.	Description
<b>202.5110.0</b>	<b>Storage shelf</b>
①	pivotable, steel, powder-coated white aluminium (RAL 9006), 445 × 395 mm (W x D), screw fixed at the left or right rear edge of the trolley, safe working load up to 20 kg. (additional fitting of dressing or injection dispensers not possible). <b>Cannot be fitted to ISO trolleys of 360 mm width.</b>
<b>202.6860.0</b>	<b>Holder</b>
②	for storage of the “Weinmann” resuscitation unit, Life Base III on carrying platform. Mounting at the guiding bar side. <b>Only for functional trolleys.</b> (Holder for other Weinmann systems upon request)
<b>202.4700.0</b>	<b>Infusion pole* CE<sup>MD</sup></b>
③	SST 18/10, upper section with 4 hooks, drip glass, height adjustable by 900 mm, one-hand action, safe working load: per hook 2 kg. (screw fixed to back wall of trolley).
<b>202.5500.0</b>	<b>CPR board CE<sup>MD</sup></b>
④	390 × 600 × 8 mm (W x H x D) incl. holder, fixed to the back of trolley. <b>Cannot be fitted to functional trolleys with 450 mm width or ISO trolleys with 360 mm width!</b>

## varimed®

### Accessories for fixed mounting to functional and ISO trolleys



Model No.	Description
<b>202.0039.0</b>	<p><b>Storage shelf</b> can be pulled out to the side, made of HPL 400 × 385 mm, thickness 8 mm, load capacity 12 kg, increases the working height by 40 mm. <b>Only for ISO trolleys with 720 mm width, can only be pulled out to the left, cannot be fitted to IT trolleys.</b></p>
<b>202.0043.0</b> (w/o ill.)	<p><b>Storage shelf</b> as 202.0039.0, however <b>for functional trolleys with 450 mm width, can only be pulled out to the left, cannot be fitted to IT trolleys.</b> Dimensions: 430 × 285 × 8 mm.</p>
<b>202.0004.0</b> (w/o ill.)	<p><b>Storage shelf</b> as 202.0039.0, however <b>for functional trolleys with 600 mm width, can only be pulled out to the left, cannot be fitted to IT trolleys.</b> Dimensions: 430 × 380 × 8 mm.</p>



Model No. Description

---

**202.0041.0 Storage shelf**

400 × 500 × 25 mm (W × D × H) made of plastic, silver grey, fold-down, safe working load: 20 kg.  
**Only for ISO trolleys with 720 mm width.**

---

**202.0044.0 Storage shelf**

(w/o ill.)

as 202.0041.0, however **for functional trolleys.**

Dimensions: 400 × 500 × 25 mm.

Safe working load for 450 mm wide functional trolleys:  
10 kg!

---



**202.0055.0 Storage shelf**

420 × 500 × 25 mm (W × D × H) made of SST 18/10, fold-down, safe working load: 20 kg.

**Only for ISO trolleys with 720 mm width.**

---

**202.0056.0 Storage shelf**

(w/o ill.)

as 202.0055.0, however **for functional trolleys.**

Dimensions: 420 × 500 × 25 mm.

Safe working load for 450 mm wide functional trolleys:  
10 kg!



**varimed®**

### **The rail system for accessories**

- Easy and fast attachment and interchange of accessories
- Suspending instead of screw-connection
- Side rails with a useful length of 460 mm (functional trolleys) and 410 mm (ISO trolleys) – Please observe the space required by the accessory
- Details on the possible equipment of the functional or ISO trolleys with side rails can be found on pp. 158 and 164

## varimed® Accessory sets

Model No.	Description
-----------	-------------



<b>202.9600.0</b>	<b>Accessory set for treatment trolley</b> comprises: 2 side rails 202.3000.0 LHS mounted, 2 holders 205.1350.0, plastic tray with closed lid 205.1450.0, plastic tray with opening in lid 205.1460.0 and waste bag holder 202.3810.0.
-------------------	--



<b>202.9650.0</b>	<b>Accessory set for treatment trolley</b> comprises: 1 side rail 202.3000.0 LHS mounted, 1 holder 205.1350.0, plastic tray with opening in lid 205.1460.0, varimed medical waste bin set 205.1550.0, 1 side rail 202.3000.0 RHS mounted, waste bag holder 202.3810.0.
-------------------	--



<b>202.9720.0</b>	<b>Accessory set for treatment trolley</b> comprises: syringe and cannula dispenser 202.1610.0 with bracket 202.1860.1, side rail 202.3000.0 LHS mounted with container for catheters 200.1380.0, varimed medical waste bin set 205.1550.0 and ampule opener 202.4310.0, for functional trolleys 600 mm or 900 mm in width.
-------------------	--

**varimed®****Accessories for mounting to accessory rail system**

Model No.	Description
-----------	-------------



<b>202.3000.0</b>	<b>Side rail</b> aluminium, 25 × 10 mm, with fastening pieces, safe working load up to 20 kg. Effective width: 460 mm <b>Only for functional trolleys.</b>
-------------------	--



<b>202.0016.0</b>	<b>Side rail</b> 460 mm long, aluminium, 25 × 10 mm, with fastening pieces, safe working load up to 20 kg. Effective width: 410 mm <b>Only for ISO trolleys.</b>
-------------------	--

**varimed®**

## Accessories for mounting to accessory rail system

Model No. Description



**202.3230.0 Swivel-mounted tray, square**  
230 × 190 × 40 mm (W × D × H), SST 18/10, with holder and plastic rail clamp. Effective width: 220 mm.

**202.3240.0 Swivel-mounted tray, round**  
Ø 220 × 40 mm (diam. × H), SST 18/10, with holder and plastic rail clamp. Effective width: 220 mm.



**202.3300.0 Tray**  
355 × 320 × 65 mm (W × D × H), SST 18/10, with steel holder, powder-coated white aluminium (RAL 9006), SST 18/10. Effective width: 380 mm.  
**Cannot be used with ISO trolleys of 360 mm width.**



**205.1350.0 Holder**  
290 × 215 × 25 mm (W × D × H) of steel, powder-coated white aluminium (RAL 9006), plastic rail clamp, for plastic trays 205.1450.0 and 205.1460.0. Effective width: 300 mm.

**205.1460.0 Plastic tray**  
225 × 300 × 130 mm (W × D × H)  
made of polypropylene, with opening in lid.

**205.1450.0 Plastic tray**  
(w/o ill.) 225 × 300 × 130 mm (W × D × H)  
made of polypropylene, with closed lid.



Model No. Description

---

**202.3470.0 12 l bucket**  
Ø 310 × 270 mm (diam. x H)  
SST 18/10 bucket with steel holder,  
powder-coated white aluminium (RAL 9006),  
with plastic rail clamp.  
Effective width: 330 mm.  
**Cannot be used with ISO trolleys of 360 mm width.**

---

**202.1370.0 Lid**  
(w/o ill.) made of SST 18/10, for 12 l bucket.

---



**202.3490.0 5 l bowl**  
Ø 330 × 140 mm (diam. x H)  
SST 18/10 bowl with steel holder, powder-coated  
white aluminium (RAL 9006), with plastic rail clamp.  
Effective width: 330 mm.

**varimed®**

## Accessories for mounting to accessory rail system

Model No. Description



**202.3810.0 Waste bag holder**  
265 × 205 × 425 mm (W x D x H)  
wire Rilsan coated, with plastic lid, for 15 l waste bags,  
steel holder, powder coated white aluminium RAL 9006,  
plastic rail clamp, incl. 1 roll of waste bags 202.2070.0.  
Effective width: 300 mm.



**202.3910.0 Waste bag holder**  
280 × 110 × 410 mm (W x D x H)  
powder-coated white aluminium (RAL 9006) sheet  
steel, with 2 plastic rail clamps, for 15 l waste bags,  
incl. 1 roll of waste bags 202.2070.0.  
Effective width: 300 mm.

**202.2070.0 Spare waste bags**  
(w/o ill.) 15 litres, in rolls, 48 pcs, for 202.3810.0, 202.3910.0,  
202.0008.0, 205.0007.0 and 205.0008.0.



**202.0087.0 Waste bag holder**  
330 × 168 × 430 mm (W x D x H), stainless steel,  
capacity approx. 8 litres, with foot-operated opening  
and closing mechanism, with plastic rail clamp.  
Effective width: 330 mm.  
No waste bags included!



**202.0089.0 Waste bag holder**  
400 × 197 × 490 mm (W x D x H), stainless steel,  
capacity approx. 15 litres, with foot-operated opening  
and closing mechanism, with plastic rail clamp.  
Effective width: 400 mm.  
No waste bags included!

Model No.	Description
-----------	-------------



<b>205.0900.0</b>	<b>Disinfectant dispenser</b> Height adjustable, for mounting of 500 ml container, with SST pump, with fastening plate made of powder-coated white aluminium RAL 9006 steel plate, main tube 500 mm in length and plastic rail clamp. Effective width: 100 mm.
-------------------	--

<b>205.0910.0</b>	<b>Disinfectant dispenser</b> Height adjustable, for mounting of 1,000 ml container, with SST pump, with fastening plate made of powder-coated white aluminium RAL 9006 steel plate, main tube 500 mm in length and plastic rail clamp. Effective width: 100 mm.
-------------------	--

Illustration incl. drip-catcher 205.1050.0/205.1060.0



<b>205.0920.0</b>	<b>Disinfectant dispenser</b> For mounting of 500 ml container, with SST pump, with fastening plate made of powder-coated white aluminium RAL 9006 steel plate and plastic rail clamp. Effective width: 100 mm.
-------------------	---

<b>205.0930.0</b>	<b>Disinfectant dispenser</b> For mounting of 1,000 ml container, with SST pump, with fastening plate made of powder-coated white aluminium RAL 9006 steel plate and plastic rail clamp. Effective width: 100 mm.
-------------------	---



<b>205.1050.0</b>	<b>Drip-catcher</b> SST 18/10, for 500 ml disinfectant dispenser.
-------------------	--

<b>205.1060.0</b>	<b>Drip-catcher</b> SST 18/10, for 1,000 ml disinfectant dispenser.
-------------------	--

**varimed®**

## Accessories for mounting to accessory rail system

Model No. Description



**205.1550.0 varimed medical waste bin set 1.5 litres**  
20 polypropylene boxes with red lid,  
SST 18/10 holder and plastic rail clamp.  
Effective width: 200 mm.  
(Holders for different systems upon request)

**205.1510.0 Holder**  
as 205.1550.0, however without boxes.  
Effective width: 200 mm.  
(Holders for different systems upon request)

**205.1600.0 varimed medical waste bins 1.5 litres**  
(w/o ill.) Carton with 100 boxes, without holder.



**202.4310.0 Ampule opener Cupfix**  
with removable collecting tray and diamond file,  
steel holder powder-coated white aluminium RAL 9006,  
with plastic rail clamp.  
Effective width: 170 mm.

**205.0012.0 Holder for gloves dispenser**  
(w/o ill.) made of steel powder-coated white aluminium  
(RAL 9006), with 2 plastic rail clamps, for all common  
disposable glove cartons.  
260 × 95 × 120 mm (W x D x H)



Model No. Description

**205.1910.1 Holder for gloves dispenser**  
made of steel powder-coated white aluminium (RAL 9006), with 2 plastic rail clamps for mounting to accessory rail, for all common disposable glove cartons, max. 3 cartons. Width adjustable from 215 to 255 mm, depth adjustable from 65 to 90 mm, height 400 mm. Effective width: 400 mm.

**205.0001.1 Holder for gloves dispenser**  
(w/o ill.) similar to 205.1910.1,  
but height 530 mm for max. 4 cartons.



**205.1930.0 Holder for gloves dispenser**  
260 × 93 × 400 mm (W x D x H),  
not adjustable, made of steel powder-coated white aluminium (RAL 9006), with 2 plastic rail clamps 205.0760.0 for side rail mounting.  
Can also be mounted horizontally.  
Effective width: 300 mm (in case of vertical mounting)  
Horizontal mounting not possible on rail 205.0540.0  
nor on rack for supporting accessories 205.4120.0

**varimed®****Accessories for mounting to accessory rail system**

Model No. Description



**205.1750.0 Catheter basket**  
150 × 100 × 480 mm (W x D x H), SST 18/10,  
with two hooks to hang onto accessory rail.  
Effective width: 150 mm.



**202.5800.0 Basket**  
575 × 260 × 280 mm (W x D x H),  
SST 18/10, to hang onto accessory rail.  
Effective width: 460 mm.



**205.1700.0 Basket**  
300 × 200 × 200 mm (W x D x H),  
SST 18/10, with two hooks, to hang onto accessory rail.  
Effective width: 300 mm.

Model No. Description

---



**205.1710.0 Basket**  
300 × 200 × 100 mm (W x D x H),  
SST 18/10, with two hooks, to hang onto accessory rail.  
Effective width: 300 mm.

---



**202.0012.0 Basket**  
290 × 95 × 95 mm (W x D x H), SST 18/10,  
with two hooks to hang onto accessory rail.  
Effective width: 215 mm.

---



**202.0013.0 Basket**  
460 × 150 × 150 mm (W x D x H), SST 18/10,  
with two hooks to hang onto accessory rail.  
Effective width: 385 mm.

**varimed®****Accessories for mounting to accessory rail system**

Model No.	Description
-----------	-------------

---

<b>200.1380.0</b>	<b>Catheter container</b> 164 × 75 × 450/560 mm (W x D x H), SST 18/10, for storage of catheters. (to attach to the guard rail or accessory rail) Effective width: 165 mm.
-------------------	--

---

<b>202.4550.0</b>	<b>Lid</b>
(w/o ill.)	SST 18/10, for catheter container 200.1380.0.

Model No. Description

---



**202.0011.0 Oxygen tank holder**  
powder-coated white aluminium RAL 9006 sheet steel, with plastic rail clamp, for tanks of up to 5 litres, with fixing strap. For safety reasons, in order to remove the oxygen tank holder, the side rail has to be detached. Effective width: 150 mm.  
**Cannot be used with ISO trolleys with a width of 360 mm!**

---



**202.6950.0 Document holder**  
500 × 40 × 300 mm (W x D x H)  
SST 18/10.  
Effective width: 460 mm.  
**Only for functional trolleys.**

---



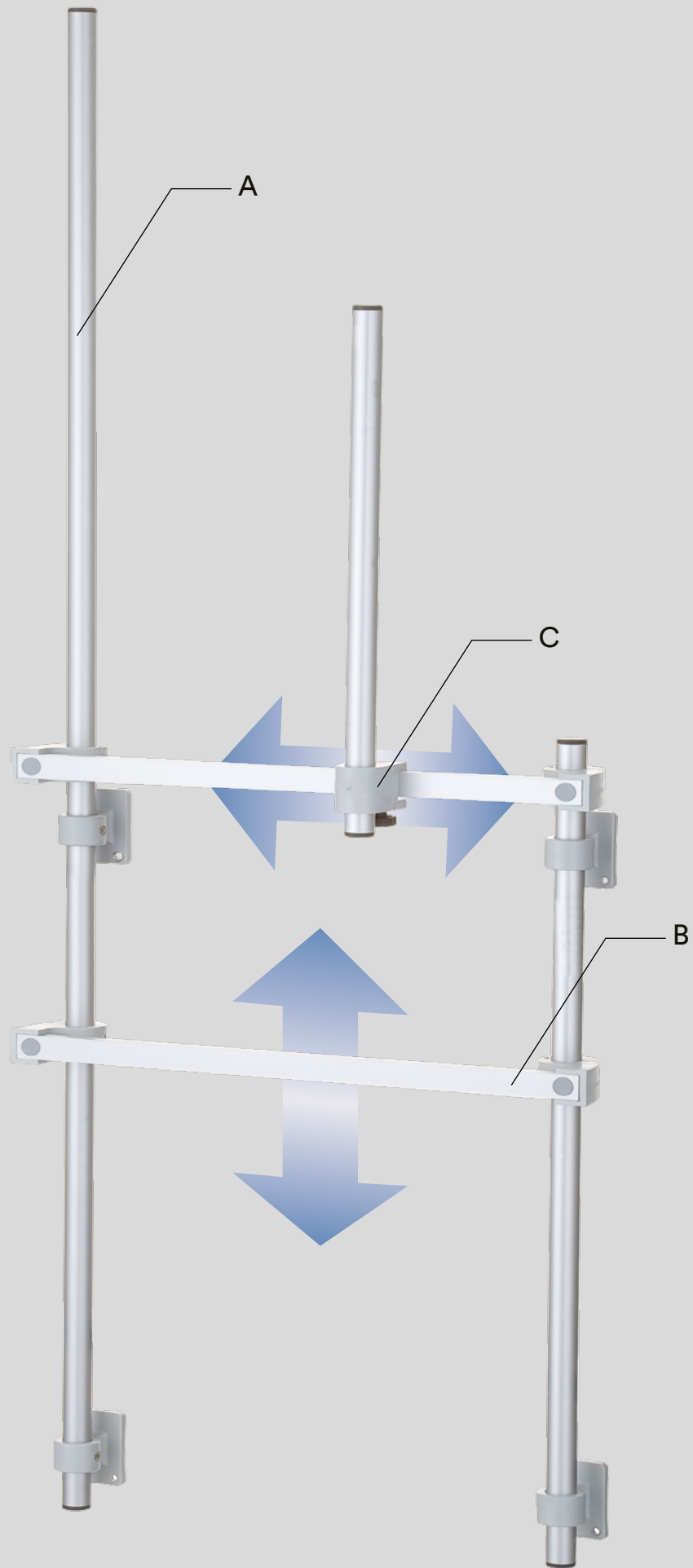
**202.0017.0 Document holder**  
440 × 40 × 300 mm (W x D x H), SST 18/10.  
Effective width: 400 mm.



**varimed®**  
**The multifunctional rail system**  
**Together they work better**

A strong combination with decisive advantages:  
Functional and ISO trolleys with multifunctional rail system.

- Simple and ergonomic attachment of accessories – vertically and horizontally adjustable.
- Saves time by optimizing and standardizing work sequences.
- Minimizes cross-contamination due to hygienic arrangement of dispensers.
- Safety due to firm and ergonomic fitting of the equipment needed at the right place.
- Use of standard accessory rails 25 × 10 mm.
- Subsequent fitting on existing trolleys.



**varimed®**  
**The multifunctional rail system**  
**for accessories**

This rail system can turn a functional or ISO trolley into a mobile workplace that can be individually and optimally designed to serve as your assistant.

- The main tubes (A) are available in different lengths. Accessories can be attached at the desired work height.
- The accessory rails (B) can be easily adjusted upward or downward.
- A clamp (C) can be used to horizontally adjust short main tubes to the accessory rails.
- The main tubes and the accessory rails are made of aluminium, the fastening elements and clamps are made of plastic.
- The rail system as seen in the picture weighs only approx. 2.5 kg.

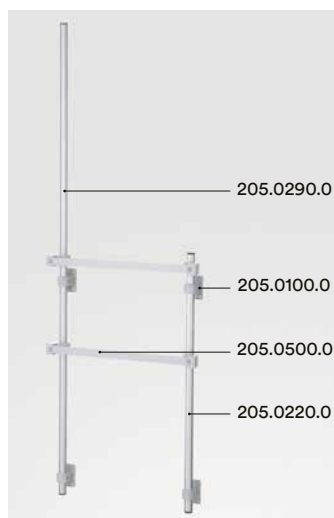
**!** The multifunctional rail system cannot be used with ISO trolleys of 360 mm width!

## varimed®

### Multifunctional rail system

#### Racks for accessories, Accessory sets

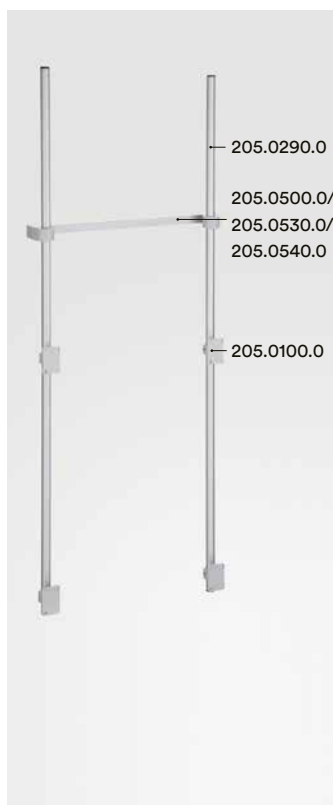
Model No. Description



**205.4000.0 Rack for supporting accessories**  
aluminium/plastic,  
lateral mounting to functional trolley, comprises:  
4 pc Basic fastening elements (205.0100.0)  
1 pc Main tube 1,500 mm (205.0290.0)  
1 pc Main tube 800 mm (205.0220.0)  
2 pc Accessory rails 25 × 10 × 510 mm (205.0500.0)



**205.4010.0 Accessory set for rack 205.4000.0**  
1 pc Holder for gloves dispenser (205.1900.1)  
1 pc Disinfectant dispenser (205.0900.0)  
1 pc Basket (205.1710.0)  
1 pc Basket for catheters (205.1750.0)



Model No. Description

**205.4120.0 Rack for supporting accessories**

aluminium/plastic, mounted to back of functional trolleys of 450 mm width, comprises:

- 4 pc Basic fastening elements (205.0100.0)
- 2 pc Main tubes 1,500 mm (205.0290.0)
- 1 pc Accessory rail 25 × 10 × 360 mm (205.0540.0)

**205.4100.0 Rack for supporting accessories**

aluminium/plastic, mounted to back of functional trolleys of 600 mm width or ISO trolleys of 720 mm width, comprises:

- 4 pc Basic fastening elements (205.0100.0)
- 2 pc Main tubes 1,500 mm (205.0290.0)
- 1 pc Accessory rail 25 × 10 × 510 mm (205.0500.0)

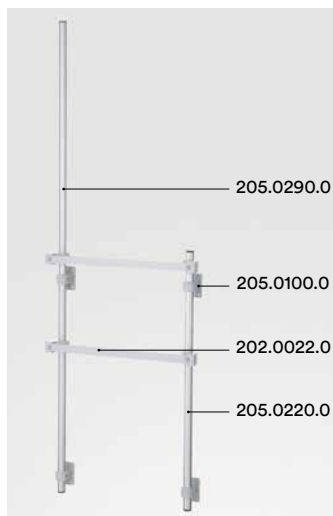
**205.4140.0 Rack for supporting accessories**

aluminium/plastic, mounted to back of functional trolleys of 900 mm width, comprises:

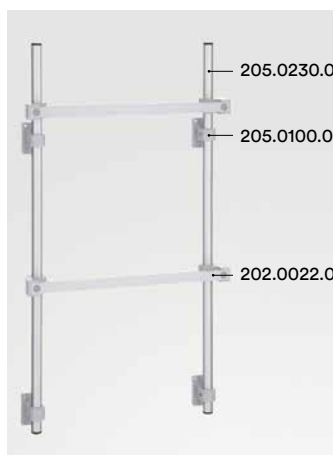
- 4 pc Basic fastening elements (205.0100.0)
- 2 pc Main tubes 1,500 mm (205.0290.0)
- 1 pc Accessory rail 25 × 10 × 810 mm (205.0530.0)

**varimed®**  
**Multifunctional rail system**  
**Racks for accessories, Accessory sets**

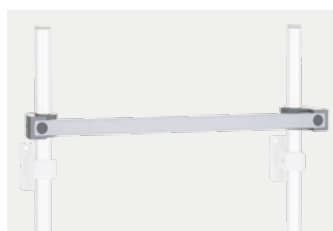
Model No. Description



- 202.0018.0 Rack for supporting accessories**  
 aluminium/plastic, lateral mounting to ISO trolleys  
 of 720 mm width, comprises:  
 4 pc Basic fastening elements (205.0100.0)  
 1 pc Main tube 1,500 mm (205.0290.0)  
 1 pc Main tube 800 mm (205.0220.0)  
 2 pc Accessory rails (202.0022.0)



- 202.0021.0 Rack for supporting accessories**  
 aluminium/plastic, lateral mounting to ISO trolleys  
 of 720 mm width, comprises:  
 4 pc Basic fastening elements (205.0100.0)  
 2 pc Main tube 900 mm (205.0230.0)  
 2 pc Accessory rails (202.0022.0)



- 202.0022.0 Accessory rail 25 × 10 × 460 mm**  
 made of anodized aluminium, for mounting of  
 accessories, incl. 2 clamps 205.0600.0 for mounting  
 to the rack for supporting accessories for lateral  
 mounting to ISO trolleys of 720 mm width.  
 Max. load capacity 20 kg.  
 Effective width: 410 mm.



Model No. Description

**205.4130.0 Accessory set for rack 205.4120.0**

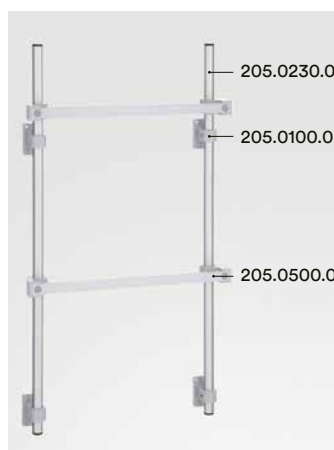
1 pc Shelf (205.1270.0)  
1 pc Fixing bracket (205.1140.0)  
for mounting of dressing or syringe and  
cannula dispensers.

**205.4110.0 Accessory set for rack 205.4100.0**

1 pc Shelf (205.1280.0)  
1 pc Fixing bracket (205.1150.0)  
for mounting of dressing or syringe and  
cannula dispensers.

**205.4150.0 Accessory set for rack 205.4140.0**

1 pc Shelf (205.1290.0)  
1 pc Fixing bracket (205.1160.0)  
for mounting of dressing or syringe and  
cannula dispensers.



**205.4200.0 Rack for supporting accessories**

aluminium/plastic, lateral mounting to  
functional trolleys, comprises:  
4 pc Basic fastening elements (205.0100.0)  
2 pc Main tubes 900 mm (205.0230.0)  
2 pc Accessory rails 25 × 10 × 510 mm (205.0500.0)

## varimed® Multifunctional rail system Basic elements

Model No. Description

**205.0100.0 Basic fastening element**  
Made of plastic, for main tubes 205.0200.0 to 205.0290.0 (2 pieces per tube required), for assembly on the trolley.

**205.0200.0 Main tube 500 mm**  
Made of anodized aluminium, Ø 25 mm, with end caps.

**205.0220.0 Main tube 800 mm**  
otherwise designed as 205.0200.0.

**205.0230.0 Main tube 900 mm**  
otherwise designed as 205.0200.0.

**205.0260.0 Main tube 1200 mm**  
otherwise designed as 205.0200.0.

**205.0270.0 Main tube 1300 mm**  
otherwise designed as 205.0200.0.

**205.0280.0 Main tube 1400 mm**  
otherwise designed as 205.0200.0.

**205.0290.0 Main tube 1500 mm**  
otherwise designed as 205.0200.0.





Model No. Description

---

**205.0500.0 Accessory rail 25 × 10 × 510 mm**

Made of anodized aluminium, for mounting of accessories, incl. 2 clamps 205.0600.0, for the rear wall of trolleys 600 mm and ISO trolleys 720 mm in width, for the side wall of trolleys 450, 600 and 900 mm in width.

Safe working load up to 20 kg.

Effective width: 450 mm.

---

**205.0530.0 Accessory rail 25 × 10 × 810 mm**

For the rear wall of trolleys 900 mm in width, otherwise designed as 205.0500.0.

Safe working load up to 20 kg.

Effective width: 750 mm.

---

**205.0540.0 Accessory rail 25 × 10 × 360 mm**

For the rear wall of trolleys 450 mm in width, otherwise designed as 205.0500.0.

Safe working load up to 20 kg.

Effective width: 300 mm.

**varimed®**  
**Multifunctional rail system**  
**Accessories for attachment to main tubes**

Model No. Description



**205.1140.0 Fixing bracket for dressing and syringe/cannula dispenser**  
 590 mm wide, made of powder-coated white aluminium RAL 9006 sheet steel, with 4 plastic clamps, for attachment to accessory rack 205.4120.0.

**205.1150.0 Fixing bracket for dressing and syringe/cannula dispenser**  
 590 mm wide, made of powder-coated white aluminium RAL 9006 sheet steel, with 4 plastic clamps, for attachment to accessory rack 205.4100.0.

**205.1160.0 Fixing bracket for dressing and syringe/cannula dispenser**  
 890 mm rear panel, 590 mm support surface for dispenser, made of powder-coated white aluminium RAL 9006 sheet steel, with 4 plastic clamps, for attachment to accessory rack 205.4140.0.



**205.1270.0 Shelf**  
 450 × 300 mm (W x D) powder-coated RAL 9006, with 4 plastic clamps to slide onto basic tube of rack 205.4120.0.  
 Safe working load: 15 kg.

**205.1280.0 Shelf**  
 as 205.127.0, however 600 × 300 mm (W x D), fits rack 205.4100.0.

**205.1290.0 Shelf**  
 as 205.127.0, however 900 × 300 mm (W x D), fits rack 205.4140.0.

Model No. Description



**202.1610.0 Syringe and cannula dispenser**  
730 × 240 × 410 mm (W x D x H)  
grey plastic housing, with 3 large and 5 small  
crystal-clear boxes, First-in/First-out system,  
with twin set swab moistener and dispenser.



**202.1650.0 Syringe and cannula dispenser**  
730 × 240 × 410 mm (W x D x H)  
grey plastic housing, with 3 large and 5 small  
crystal-clear boxes, Last-in/First-out system,  
with twin set swab moistener and dispenser.



**202.1640.0 Syringe and cannula dispenser**  
600 × 200 × 410 mm (W x D x H)  
grey plastic housing, with 3 large and 5 small  
crystal-clear boxes, First-in/First-out system,  
without twin set.



**202.1660.0 Syringe and cannula dispenser**  
600 × 200 × 410 mm (W x D x H)  
grey plastic housing, with 3 large boxes 202.0001.0  
and 5 small boxes 202.0003.0, Last-in/First-out system,  
without twin set.



**202.0001.0 Set with 3 boxes**  
(w/o ill.) Last-in/First-out system

**202.0002.0 Set with 4 boxes**  
Last-in/First-out system

**202.0003.0 Set with 5 boxes**  
(w/o ill.) Last-in/First-out system

**varimed®**  
**Multifunctional rail system**  
**Accessories for attachment to main tubes**

Model No. Description



**205.0950.0 Disinfectant dispenser**  
 for mounting of 500 ml container, with SST pump,  
 with fastening plate made of powder-coated  
 white aluminium RAL 9006 sheet steel and  
 plastic clamp for sliding onto the main tube.

**205.0960.0 Disinfectant dispenser**  
 for mounting of 1,000 ml container, with SST pump,  
 with fastening plate made of powder-coated  
 white aluminium RAL 9006 sheet steel and  
 plastic clamp for sliding onto the main tube.

Illustration incl. drip-catcher 205.1050.0/205.1060.0

**205.1050.0 Drip-catcher**  
 Made of SST 18/10, for 500 ml disinfection dispenser.

**205.1060.0 Drip-catcher**  
 Made of SST 18/10, for 1,000 ml disinfection dispenser.



**205.2300.0 Multifunctional plate**  
 made of Trespa, 420 × 388 × 8 mm (W x D x H),  
 mounting made of SST 18/10,  
 with 2 plastic clamps for sliding onto main tubes  
 (can only be used on the side of functional trolleys).  
 Safe working load: 12 kg.

Model No. Description



**205.0450.0 Bottle holder**  
plastic, with 4 hooks, for insertion into main tube.  
Safe working load: 2 kg per hook.



**205.1900.1 Holder for gloves dispenser**  
made of steel powder-coated white aluminium (RAL 9006), with 2 plastic clamps to slide onto main tube (of min. 1,300 mm length). For all common disposable glove cartons, max. 3 cartons.  
Adjustable in width from 215 to 255 mm, in depth from 65 to 90 mm, height 400 mm.

**205.0002.1 Holder for gloves dispenser**  
(w/o ill.) similar to 205.1900.1, but height 530 mm for max. 4 cartons.



**205.1920.0 Holder for gloves dispenser**  
260 × 93 × 400 mm (W x D x H),  
not adjustable, made of steel powder-coated white aluminium (RAL 9006), with 2 plastic clamps 205.0700.0 for sliding onto main tube. (of min. 1,300 mm length)

**205.0011.0 Holder for gloves dispenser**  
(w/o ill.) made of steel powder-coated white aluminium (RAL 9006), with 2 plastic clamps to slide onto main tube. For all common disposable glove cartons.  
260 × 95 × 120 mm (W x D x H)



**205.1800.0 Monitor holder**  
made of powder-coated white aluminium RAL 9006 sheet steel with 2 plastic clamps 205.0700.0 for sliding onto main tube (of min. 1,300 mm length), supports VESA standards 75 × 75/100 × 100 mm, carrying capacity: 10 kg.

**varimed®**  
**Multifunctional rail system**  
**Accessories for attachment to accessory rails**

Model No. Description



**202.3230.0 Swivel-mounted tray, square**  
 230 × 190 × 40 mm (W × D × H)  
 SST 18/10 with holder and plastic rail clamp.  
 Effective width: 220 mm.



**202.3240.0 Swivel-mounted tray, round**  
 Ø 220 × 40 mm (diam. × H)  
 SST 18/10 with holder and plastic rail clamp.  
 Effective width: 220 mm.



**202.3300.0 Tray**  
 355 × 320 × 65 mm (W × D × H)  
 SST 18/10, with steel holder,  
 plastic-coated white aluminium RAL 9006/SST 18/10.  
 Effective width: 380 mm.

**205.1350.0 Holder**  
 290 × 215 × 25 mm (W × D × H)  
 of steel, powder-coated white aluminium (RAL 9006),  
 plastic rail clamp, for plastic trays 205.1450.0 and  
 205.1460.0.  
 Effective width: 300 mm.

**205.1450.0 Plastic tray**  
 (w/o ill.) 225 × 300 × 130 mm (W × D × H)  
 of polypropylene, with closed lid.

**205.1460.0 Plastic tray**  
 225 × 300 × 130 mm (W × D × H)  
 of polypropylene, with opening in lid.



Model No. Description

---

**205.0004.0 5 l bowl**  
Ø 330 x 140 mm (diam. x H)  
SST 18/10 bucket with steel holder, powder-coated white aluminium (RAL 9006), with plastic rail clamp.  
Effective width: 330 mm.

---



**205.0005.0 12 l bucket**  
Ø 310 x 270 mm (diam. x H)  
SST 18/10 bowl with steel holder, powder-coated white aluminium (RAL 9006), with plastic rail clamp.  
Effective width: 330 mm.

---

**202.1370.0 Lid**  
(w/o ill.) made of SST 18/10, for 12 l bucket.

**varimed®**  
**Multifunctional rail system**  
**Accessories for attachment to accessory rails**

Model No. Description



**202.0087.0 Waste bag holder**  
 330 × 168 × 430 mm (W x D x H), stainless steel,  
 capacity approx. 8 litres, with foot-operated opening  
 and closing mechanism, with plastic rail clamp.  
 Effective width: 330 mm.  
 No waste bags included!



**202.0089.0 Waste bag holder**  
 400 × 197 × 490 mm (W x D x H), stainless steel,  
 capacity approx. 15 litres, with foot-operated opening  
 and closing mechanism, with plastic rail clamp.  
 Effective width: 400 mm.  
 No waste bags included!



**205.0007.0 Waste bag holder**  
 265 × 205 × 425 mm (W x D x H)  
 wire Rilsan coated, with plastic lid, for 15 l waste  
 bags, steel holder, powder coated white aluminium  
 RAL 9006, plastic rail clamp, incl. 1 roll of waste  
 bags 202.2070.0.  
 Effective width: 300 mm.



**205.0008.0 Waste bag holder**  
 280 × 110 × 410 mm (W x D x H)  
 powder-coated white aluminium (RAL 9006)  
 sheet steel, with 2 plastic rail clamps, for 15 l waste  
 bags, incl. 1 roll of waste bags 202.2070.0.  
 Effective width: 300 mm.

**202.2070.0 Roll of spare bags**  
 15 litres, in rolls, 48 pcs,  
 for 202.3810.0, 202.3910.0,  
 202.0008.0, 205.0007.0 and 205.0008.0.



Model No. Description

---

**205.1550.0 varimed medical waste bin set 1.5 l**  
 20 polypropylene boxes with red lid,  
 SST 18/10 holder and rail clamp.  
 Effective width: 200 mm.  
 (Holders for different systems upon request)

---

**205.1510.0 Holder**  
 as 205.1550.0, however without boxes.  
 Effective width: 200 mm.  
 (Holders for different systems upon request)

---

**205.1600.0 varimed medical waste bins 1.5 l**  
 Carton with 100 boxes, without holder.




---

**202.4310.0 Ampule opener Cupfix**  
 with removable collecting tray and diamond file,  
 holder of steel, powder coated white aluminium  
 RAL 9006, with plastic clamp.  
 Effective width: 170 mm.

**varimed®**  
**Multifunctional rail system**  
**Accessories for attachment to accessory rails**

Model No. Description



**205.0900.0 Disinfectant dispenser**  
 Height adjustable, for mounting of 500 ml container, with fastening plate made of powder-coated white aluminium RAL 9006 steel plate, main tube 500 mm in length and plastic rail clamp.  
 Effective width: 100 mm.

**205.0910.0 Disinfectant dispenser**  
 Height adjustable, for mounting of 1,000 ml container, with fastening plate made of powder-coated white aluminium RAL 9006 steel plate, main tube 500 mm in length and plastic rail clamp.  
 Effective width: 100 mm.

Illustration incl. drip-catcher 205.1050.0/205.1060.0



**205.0920.0 Disinfectant dispenser**  
 For mounting of 500 ml container, with fastening plate made of powder-coated white aluminium RAL 9006 steel plate and plastic rail clamp.  
 Effective width: 100 mm.

**205.0930.0 Disinfectant dispenser**  
 For mounting of 1,000 ml container, with fastening plate made of powder-coated white aluminium RAL 9006 steel plate and plastic rail clamp.  
 Effective width: 100 mm.



**205.1050.0 Drip-catcher**  
 Made of SST 18/10, for 500 ml disinfection dispenser.

**205.1060.0 Drip-catcher**  
 Made of SST 18/10, for 1,000 ml disinfection dispenser.



Model No. Description

---

**205.1910.1 Holder for gloves dispenser**

made of steel powder-coated white aluminium (RAL 9006), with 2 plastic rail clamps for mounting to accessory rail, for all common disposable glove cartons, max. 3 cartons. Width adjustable from 215 to 255 mm, depth adjustable from 65 to 90 mm, height 400 mm. Effective width: 400 mm.

---



**205.1930.0 Holder for gloves dispenser**

260 × 93 × 400 mm (W x D x H), not adjustable, made of steel powder-coated white aluminium (RAL 9006), with 2 plastic clamps 205.0760.0 for side rail attachment. Effective width: 400 mm (in case of horizontal mounting)  
Horizontal mounting not possible on rail 205.0540.0 nor on rack for supporting accessories 205.4120.0

**varimed®**  
**Multifunctional rail system**  
**Accessories for attachment to accessory rails**

Model No. Description



**205.1750.0 Catheter basket**  
 150 × 100 × 480 mm (W x D x H), SST 18/10,  
 with two hooks to hang onto accessory rail.  
 Effective width: 150 mm.



**205.1700.0 Basket**  
 300 × 200 × 200 mm (W x D x H), SST 18/10,  
 with two hooks, to hang onto accessory rail.  
 Effective width: 300 mm.



**205.1710.0 Basket**  
 300 × 200 × 100 mm (W x D x H), SST 18/10,  
 with two hooks, to hang onto accessory rail.  
 Effective width: 300 mm.

Model No. Description

---



**205.2200.0 Oxygen tank holder**  
powder-coated white aluminium RAL 9006 sheet steel,  
with plastic rail clamp, for tanks of up to 5 litres,  
with fixing strap.  
Effective width: 150 mm.

---



**202.4450.0 Collector**  
250 × 300 × 150 mm (L x H x D) for excision forceps,  
of SST 18/10 with holder, for attachment to  
accessory rail.

---

**202.4510.0 Endoscope holder**  
incl. 2 plastic clamps for mounting to accessory rails.  
(requires 2 pcs accessory rails,  
Length = 1.30 m fixed, extendable to 2.10 m)

**varimed®**  
**Individual clamps for add-on orders**

Model No. Description

---

**205.0600.0** **Clamp 2-part**  
Made of plastic to be mounted onto the main tube,  
for attachment of the accessory rails 205.0500.0 to  
205.0540.0.

---

**205.0610.0** **Accessory rail clamp**  
Plastic, with star handle.



Model No. Description

---



**205.0700.0 Clamp**  
Plastic, with star handle.

---

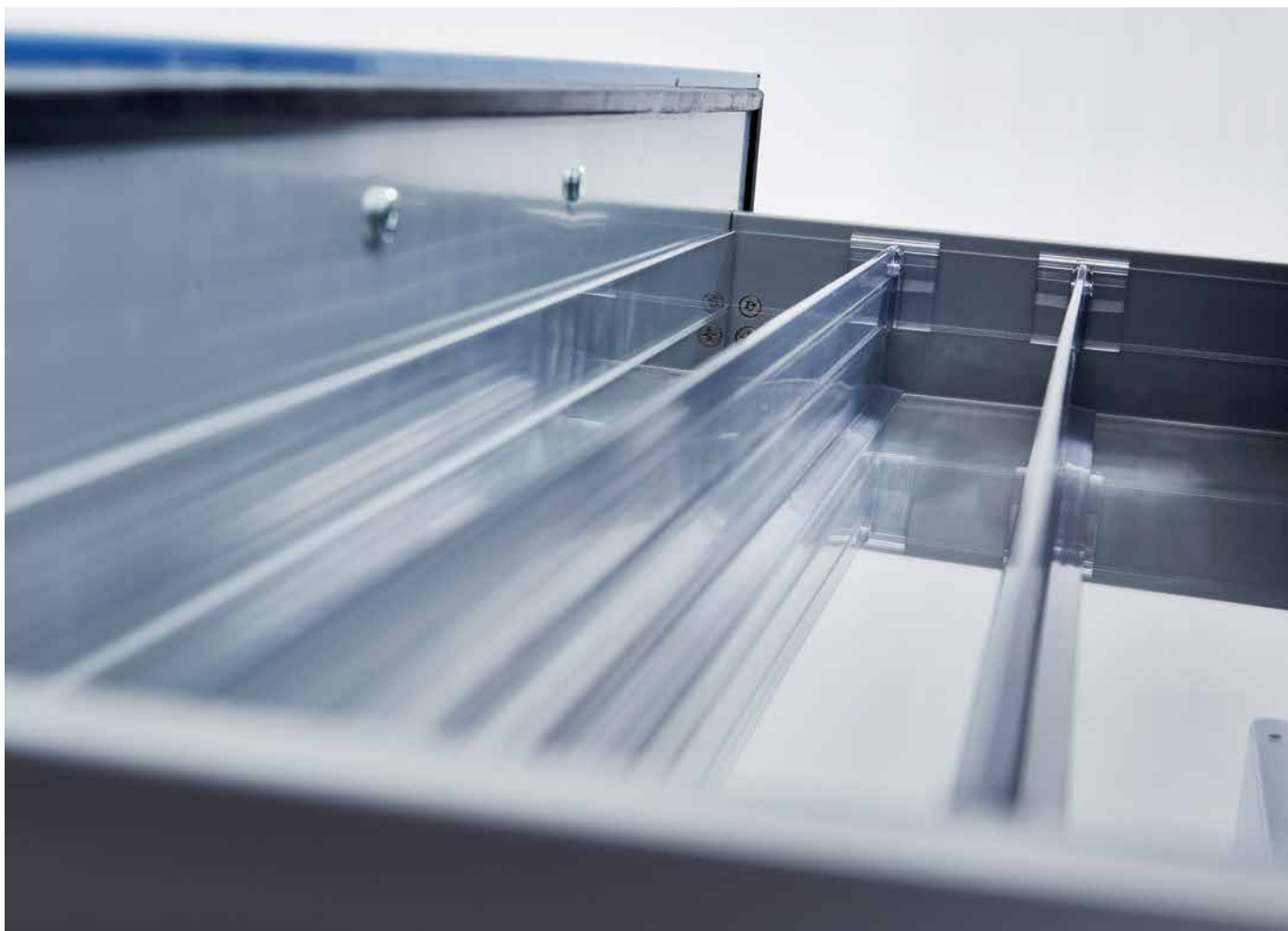


**205.0750.0 Rail clamp**  
Plastic, with star handle, slip on version,  
for assembly of equipment.

---

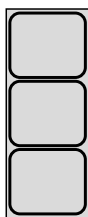


**205.0760.0 Rail clamp**  
Plastic, with star handle, clip on version,  
for assembly of equipment.

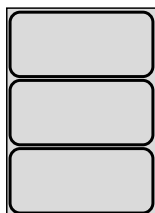


**varimed®**  
**Drawer dividers**  
**Polystyrene tray with fixed compartments**

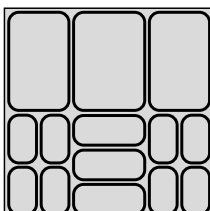
Model No. Description



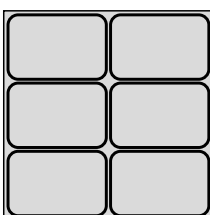
**202.8500.0 Drawer divider**  
 closed tray and 3 compartments made of polystyrene,  
 204 × 481 × 70 mm (W x D x H), for drawers type 3 D.



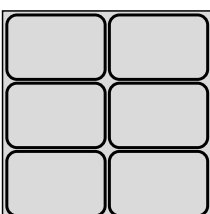
**202.8520.0 Drawer divider**  
 closed tray and 3 compartments made of polystyrene,  
 354 × 481 × 70 mm (W x D x H), for drawers type 4 D.



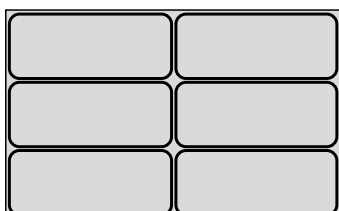
**202.8540.0 Drawer divider**  
 closed tray and 14 compartments made of polystyrene,  
 504 × 481 × 44 mm (W x D x H), for drawers type 6 B.



**202.8550.0 Drawer divider**  
 closed tray and 6 compartments made of polystyrene,  
 504 × 481 × 44 mm (W x D x H), for drawers type 6 B.



**202.8560.0 Drawer divider**  
 closed tray and 6 compartments made of polystyrene,  
 504 × 481 × 70 mm (W x D x H), for drawers type 6 D.



**202.8590.0 Drawer divider**  
 closed tray and 6 compartments made of polystyrene,  
 804 × 481 × 70 mm (W x D x H), for drawers type 9 D.

**varimed®**  
**Drawer dividers**  
**Aluminium frame w/o bottom**

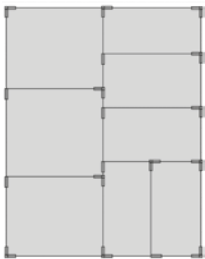


Model No. Description

**202.8800.0 Drawer dividers**

198 × 476 × 55 mm (W × D × H), for drawer type 3 D, disassembled, anodised aluminium frame, consisting of:

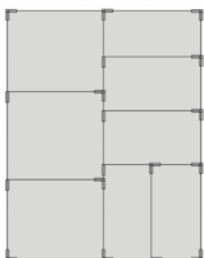
- 2 pcs 2025982 aluminium rails, longitudinal 471 × 55 mm
  - 2 pcs 2025887 aluminium rails, transverse 181 × 55 mm
  - 2 pcs 2025895 connecting clips, SAN 20/35 right
  - 2 pcs 2025896 connecting clips, SAN 20/35 left
- subdividers consisting of:
- 6 pcs 2025887 aluminium rails, transverse 181 × 55 mm
  - 6 pcs 2025895 connecting clips, SAN 20/35 right
  - 6 pcs 2025896 connecting clips, SAN 20/35 left



**202.8820.0 Drawer dividers**

350 × 476 × 35 mm (W × D × H), for drawer type 4 B, disassembled, anodised aluminium frame, consisting of:

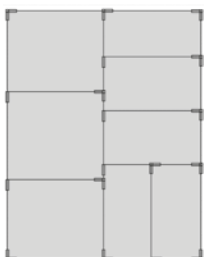
- 2 pcs 2025883 aluminium rails, longitudinal 454 × 35 mm
  - 2 pcs 2025888 aluminium rails, transverse 350 × 35 mm
  - 2 pcs 2025895 connecting clips, SAN 20/35 right
  - 2 pcs 2025896 connecting clips, SAN 20/35 left
- subdividers consisting of:
- 1 pc 2025883 aluminium rail, longitudinal 454 × 35 mm
  - 1 pc 2025895 connecting clip, SAN 20/35 right
  - 1 pc 2025896 connecting clip, SAN 20/35 left
  - 6 pcs 2025902 subdividers, SAN 160 × 35 mm
  - 6 pcs 2025895 connecting clips, SAN 20/35 right



Model No. Description

**202.8830.0 Drawer dividers**

350 × 476 × 55 mm (W × D × H), for drawer type 4 D, disassembled, anodised aluminium frame, consisting of:  
 2 pcs 2025884 aluminium rails, longitudinal 454 × 55 mm  
 2 pcs 2025889 aluminium rails, transverse 350 × 55 mm  
 2 pcs 2025897 connecting clips, SAN 45/55 right  
 2 pcs 2025898 connecting clips, SAN 45/55 left  
 subdividers consisting of:  
 1 pc 2025884 aluminium rail, longitudinal 454 × 55 mm  
 1 pc 2025897 connecting clip, SAN 45/55 right  
 1 pc 2025898 connecting clip, SAN 45/55 left  
 6 pcs 2025903 subdividers, SAN 160 × 55 mm  
 6 pcs 2025895 connecting clips, SAN 20/35 right

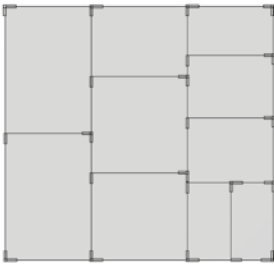


**202.8840.0 Drawer dividers**

350 × 476 × 100 mm (W × D × H), for drawer type 4 G, disassembled, anodised aluminium frame, consisting of:  
 2 pcs 2025885 aluminium rails, longitudinal 454 × 100 mm  
 2 pcs 2025890 aluminium rails, transverse 350 × 100 mm  
 2 pcs 2025897 connecting clips, SAN 45/55 right  
 2 pcs 2025898 connecting clips, SAN 45/55 left  
 subdividers consisting of:  
 1 pc 2025885 aluminium rail, longitudinal 454 × 100 mm  
 1 pc 2025897 connecting clip, SAN 45/55 right  
 1 pc 2025898 connecting clip, SAN 45/55 left  
 6 pcs 2025904 subdividers, SAN 160 × 100 mm  
 6 pcs 2025895 connecting clips, SAN 20/35 right

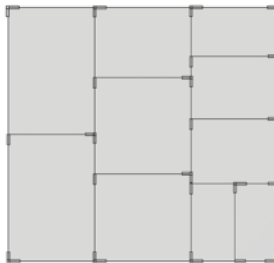
**varimed®**  
**Drawer dividers**  
**Aluminium frame w/o bottom**

Model No. Description



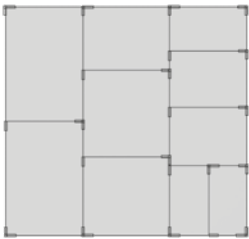
**202.8850.0 Drawer dividers**

498 × 476 × 35 mm (W x D x H), for drawer type 6 B, disassembled, anodised aluminium frame, consisting of:  
 2 pcs 2025883 aluminium rails, longitudinal 454 × 35 mm  
 2 pcs 2025891 aluminium rails, transverse 498 × 35 mm  
 2 pcs 2025895 connecting clips, SAN 20/35 right  
 2 pcs 2025896 connecting clips, SAN 20/35 left  
 subdividers consisting of:  
 2 pcs 2025883 aluminium rails, longitudinal 454 × 35 mm  
 2 pcs 2025895 connecting clips, SAN 20/35 right  
 2 pcs 2025896 connecting clips, SAN 20/35 left  
 7 pcs 2025899 subdividers, SAN 150 × 35 mm  
 7 pcs 2025895 connecting clips, SAN 20/35 right



**202.8860.0 Drawer dividers**

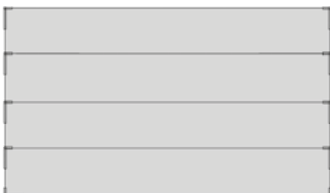
498 × 476 × 55 mm (W x D x H), for drawer type 6 D, disassembled, anodised aluminium frame, consisting of:  
 2 pcs 2025884 aluminium rails, longitudinal 454 × 55 mm  
 2 pcs 2025892 aluminium rails, transverse 498 × 55 mm  
 2 pcs 2025897 connecting clips, SAN 45/55 right  
 2 pcs 2025898 connecting clips, SAN 45/55 left  
 subdividers consisting of:  
 2 pcs 2025884 aluminium rails, longitudinal 454 × 55 mm  
 2 pcs 2025897 connecting clips, SAN 45/55 right  
 2 pcs 2025898 connecting clips, SAN 45/55 left  
 7 pcs 2025900 subdividers, SAN 150 × 55 mm  
 7 pcs 2025895 connecting clips, SAN 20/35 right



Model No. Description

**202.8870.0 Drawer dividers**

498 × 476 × 100 mm (W x D x H), for drawer type 6 G, disassembled, anodised aluminium frame, consisting of:  
 2 pcs 2025885 aluminium rails, longitudinal 454 × 100 mm  
 2 pcs 2025893 aluminium rails, transverse 498 × 100 mm  
 2 pcs 2025897 connecting clips, SAN 45/55 right  
 2 pcs 2025898 connecting clips, SAN 45/55 left  
 subdividers consisting of:  
 2 pcs 2025885 aluminium rails, longitudinal 454 × 100 mm  
 2 pcs 2025897 connecting clips, SAN 45/55 right  
 2 pcs 2025898 connecting clips, SAN 45/55 left  
 7 pcs 2025901 subdividers, SAN 150 × 100 mm  
 7 pcs 2025895 connecting clips, SAN 20/35 right



**202.8981.0 Drawer dividers**

798 × 476 × 35 mm (W x D x H), for drawer type 9B, disassembled, anodised aluminium frame, consisting of:  
 2 pcs aluminium rails, longitudinal 471 × 35 mm  
 2 pcs aluminium rails, transverse 781 × 35 mm  
 2 pcs 2025895 connecting clips, SAN 20/35 right  
 2 pcs 2025896 connecting clips, SAN 20/35 left  
 subdividers consisting of:  
 3 pcs aluminium rails, longitudinal 781 × 35 mm  
 3 pcs 2025895 connecting clips, SAN 20/35 right  
 3 pcs 2025896 connecting clips, SAN 20/35 left

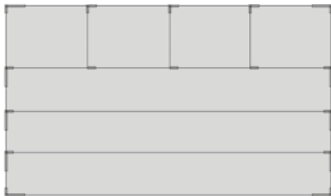
**varimed®**  
**Drawer dividers**  
**Aluminium frame w/o bottom**



Model No. Description

**202.8880.0 Drawer dividers**

798 × 476 × 55 mm (W x D x H), for drawer type 9 D, disassembled, anodised aluminium frame, consisting of:  
 2 pcs 2025982 aluminium rails, longitudinal 471 × 55 mm  
 2 pcs 2025894 aluminium rails, transverse 781 × 55 mm  
 2 pcs 2025897 connecting clips, SAN 45/55 right  
 2 pcs 2025898 connecting clips, SAN 45/55 left  
 subdividers consisting of:  
 3 pcs 2025894 aluminium rails, transverse 781 × 55 mm  
 3 pcs 2025897 connecting clips, SAN 45/55 right  
 3 pcs 2025898 connecting clips, SAN 45/55 left  
 3 pcs 2025905 subdividers, SAN 170 × 55 mm  
 3 pcs 2025895 connecting clips, SAN 20/35 right



**202.8982.0 Drawer dividers**

798 × 476 × 100 mm (W x D x H), for drawer type 9G, disassembled, anodised aluminium frame, consisting of:  
 2 pcs aluminium rails, longitudinal 471 × 100 mm  
 2 pcs 2043270 aluminium rails, transverse 781 × 100 mm  
 2 pcs 2025897 connecting clips, SAN 45/55 right  
 2 pcs 2025898 connecting clips, SAN 45/55 left  
 subdividers consisting of:  
 3 pcs 2043270 aluminium rails, transverse 781 × 100 mm  
 3 pcs 2025897 connecting clips, SAN 45/55 right  
 3 pcs 2025898 connecting clips, SAN 45/55 left  
 3 pcs 2043271 subdividers, SAN 170 × 100 mm  
 3 pcs 2025895 connecting clips, SAN 20/35 right

## varimed® Drawer dividers, Acrylic tray

Model No. Description



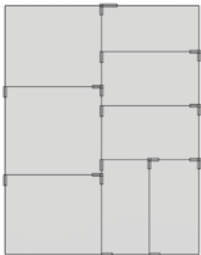
### 202.8900.0 Drawer dividers

195 × 470 × 55 mm (W x D x H), for drawer type 3 D,  
consisting of:

1 pc 2026024 acrylic tray

6 pcs 2025906 subdividers, SAN 176 × 55 mm

6 pcs 2025895 connecting clips, SAN 20/35 right



### 202.8920.0 Drawer dividers

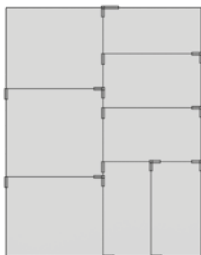
347 × 471 × 35 mm (W x D x H), for drawer type 4 B,  
consisting of:

1 pc 2026025 acrylic tray

1 pc 2025907 subdivider, SAN 446 × 35 mm

6 pcs 2025902 subdividers, SAN 160 × 35 mm

7 pcs 2025895 connecting clips, SAN 20/35 right



### 202.8930.0 Drawer dividers

347 × 471 × 55 mm (W x D x H), for drawer type 4 D,  
consisting of:

1 pc 2026026 acrylic tray

1 pc 2025908 subdivider, SAN 446 × 55 mm

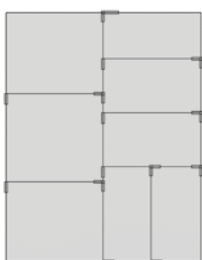
6 pcs 2025903 subdividers, SAN 160 × 55 mm

7 pcs 2025895 connecting clips, SAN 20/35 right

**varimed®**  
**Drawer dividers,**  
**Acrylic tray**

Model No. Description

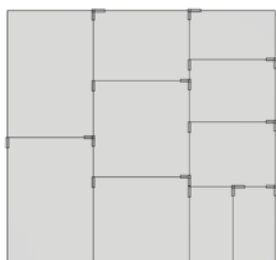
---



**202.8940.0 Drawer dividers**

347 × 471 × 100 mm (W x D x H), for drawer type 4 G,  
 consisting of:  
 1 pc 2026027 acrylic tray  
 1 pc 2025909 acrylic subdivider 443 × 100 mm  
 1 pc 2025897 connecting clip, SAN 45/55 right  
 1 pc 2025898 connecting clip, SAN 45/55 left  
 6 pcs 2025904 subdividers, SAN 160 × 100 mm  
 6 pcs 2025895 connecting clips, SAN 20/35 right

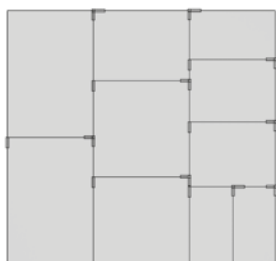
---



**202.8950.0 Drawer dividers**

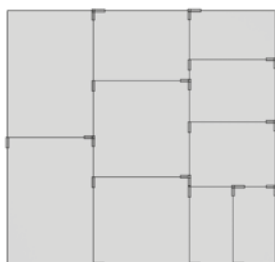
495 × 471 × 35 mm (W x D x H), for drawer type 6 B,  
 consisting of:  
 1 pc 2026028 acrylic tray  
 2 pcs 2025907 subdividers, SAN 446 × 35 mm  
 7 pcs 2025899 subdividers, SAN 150 × 35 mm  
 9 pcs 2025895 connecting clips, SAN 20/35 right

---



**202.8960.0 Drawer dividers**

495 × 471 × 55 mm (W x D x H), for drawer type 6 D,  
 consisting of:  
 1 pc 2026029 acrylic tray  
 2 pcs 2025908 subdividers, SAN 446 × 55 mm  
 2 pcs 2025897 connecting clips, SAN 45/55 right  
 7 pcs 2025900 subdividers, SAN 150 × 55 mm  
 7 pcs 2025895 connecting clips, SAN 20/35 right



Model No. Description

**202.8970.0 Drawer dividers**

495 × 471 × 100 mm (W x D x H), for drawer type 6 G,  
consisting of:

- 1 pc 2026030 acrylic tray
- 2 pcs 2025909 acrylic subdividers 443 × 100 mm
- 2 pcs 2025897 connecting clips, SAN 45/55 right
- 2 pcs 2025898 connecting clips, SAN 45/55 left
- 7 pcs 2025904 subdividers, SAN 160 × 100 mm
- 7 pcs 2025895 connecting clips, SAN 20/35 right

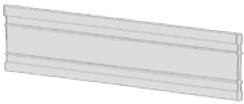


**202.8980.0 Drawer dividers**

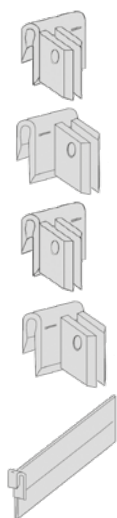
795 × 471 × 55 mm (W x D x H), for drawer type 9 D,  
consisting of:

- 1 pc 2026031 acrylic tray
- 3 pcs 2025910 subdividers, PVC 773 × 55 mm
- 3 pcs 2025897 connecting clips, SAN 45/55 right
- 3 pcs 2025898 connecting clips, SAN 45/55 left
- 3 pcs 2025905 subdividers, SAN 170 × 55 mm
- 3 pcs 2025895 connecting clips, SAN 20/35 right

**varimed®**  
**Individual components for drawer dividers**  
**with aluminium frame**

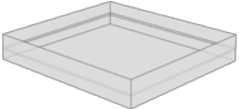
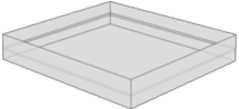
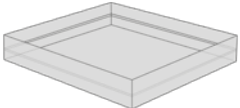
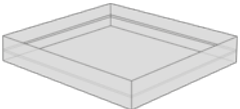
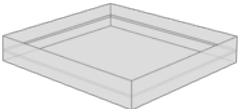
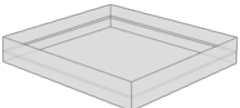
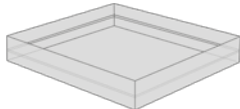
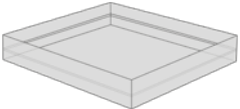






Model No.	Description
2025883	<b>Aluminium rail, longitudinal</b> 454 × 35 mm, 2 pcs
2025884	<b>Aluminium rail, longitudinal</b> 454 × 55 mm, 2 pcs
2025885	<b>Aluminium rail, longitudinal</b> 454 × 100 mm
2025982	<b>Aluminium rail, longitudinal</b> 471 × 55 mm, 2 pcs
2025887	<b>Aluminium rail, transverse</b> 181 × 55 mm, 4 pcs
2025888	<b>Aluminium rail, transverse</b> 350 × 35 mm, 2 pcs
2025889	<b>Aluminium rail, transverse</b> 350 × 55 mm, 2 pcs
2025890	<b>Aluminium rail, transverse</b> 350 × 100 mm
2025891	<b>Aluminium rail, transverse</b> 498 × 35 mm, 2 pcs
2025892	<b>Aluminium rail, transverse</b> 498 × 55 mm, 2 pcs
2025893	<b>Aluminium rail, transverse</b> 498 × 100 mm
2025894	<b>Aluminium rail, transverse</b> 781 × 55 mm
2043270	<b>Aluminium rail, transverse</b> 781 × 100 mm

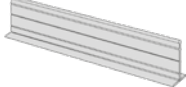
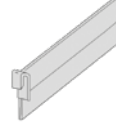
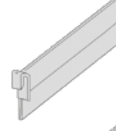
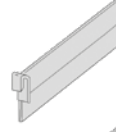
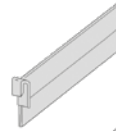
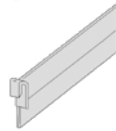
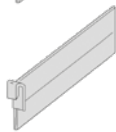
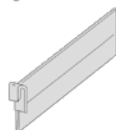
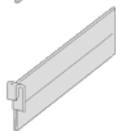
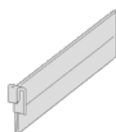


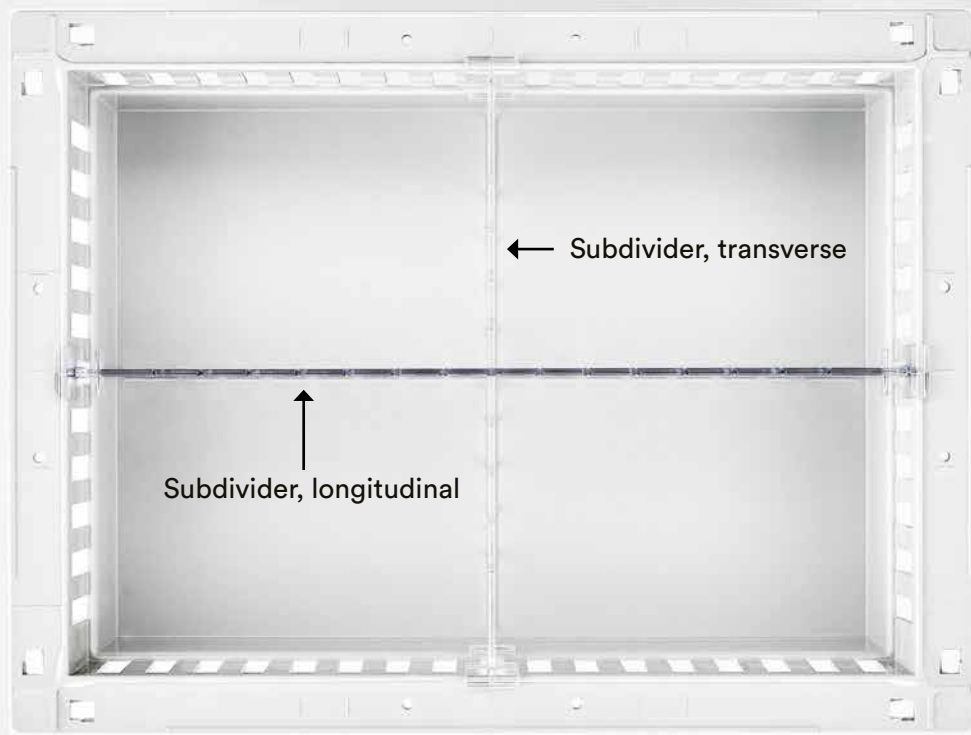
Model No.	Description
<b>2025895</b>	<b>Connecting clip</b> SAN 20/35 right, 5 pcs
<b>2025896</b>	<b>Connecting clip</b> SAN 20/35 left, 5 pcs
<b>2025897</b>	<b>Connecting clip</b> SAN 45/55 right, 5 pcs
<b>2025898</b>	<b>Connecting clip</b> SAN 45/55 left, 5 pcs
<b>2025899</b>	<b>Subdividers</b> SAN 150 × 35 mm, 4 pcs
<b>2025900</b>	<b>Subdividers</b> SAN 150 × 55 mm, 4 pcs
<b>2025901</b>	<b>Subdividers</b> SAN 150 × 100 mm, 2 pcs
<b>2025902</b>	<b>Subdividers</b> SAN 160 × 35 mm, 4 pcs
<b>2025903</b>	<b>Subdividers</b> SAN 160 × 55 mm, 4 pcs
<b>2025904</b>	<b>Subdividers</b> SAN 160 × 100 mm, 2 pcs
<b>2025905</b>	<b>Subdividers</b> SAN 170 × 55 mm, 4 pcs
<b>2043271</b>	<b>Subdividers</b> SAN 170 × 100 mm, 1 pc.

**varimed®**  
**Individual components**  
**for dividers with acrylic tray**

Model No.	Description
	<b>2026024</b> <b>Acrylic tray</b> for drawer dividers 202.8900.0
	<b>2026025</b> <b>Acrylic tray</b> for drawer dividers 202.8920.0
	<b>2026026</b> <b>Acrylic tray</b> for drawer dividers 202.8930.0
	<b>2026027</b> <b>Acrylic tray</b> for drawer dividers 202.8940.0
	<b>2026028</b> <b>Acrylic tray</b> for drawer dividers 202.8950.0
	<b>2026029</b> <b>Acrylic tray</b> for drawer dividers 202.8960.0
	<b>2026030</b> <b>Acrylic tray</b> for drawer dividers 202.8970.0
	<b>2026031</b> <b>Acrylic tray</b> for drawer dividers 202.8980.0
	<b>2025895</b> <b>Connecting clip</b> SAN 20/35 right, 5 pcs
	<b>2025896</b> <b>Connecting clip</b> SAN 20/35 left, 5 pcs
	<b>2025897</b> <b>Connecting clip</b> SAN 45/55 right, 5 pcs
	<b>2025898</b> <b>Connecting clip</b> SAN 45/55 left, 5 pcs

Model No.	Description
2025899	<b>Subdividers</b> SAN 150 × 35 mm, 4 pcs
2025900	<b>Subdividers</b> SAN 150 × 55 mm, 4 pcs
2025902	<b>Subdividers</b> SAN 160 × 35 mm, 4 pcs
2025903	<b>Subdividers</b> SAN 160 × 55 mm, 4 pcs
2025904	<b>Subdividers</b> SAN 160 × 100 mm, 2 pcs
2025905	<b>Subdividers</b> SAN 170 × 55 mm, 4 pcs
2025906	<b>Subdividers</b> SAN 176 × 55 mm, 2 pcs
2025907	<b>Subdividers</b> SAN 446 × 35 mm, 2 pcs
2025908	<b>Subdividers</b> SAN 446 × 55 mm, 2 pcs
2025909	<b>Acrylic subdividers</b> 443 × 100 mm, 2 pcs
2025910	<b>Subdivider</b> PVC 773 × 55 mm

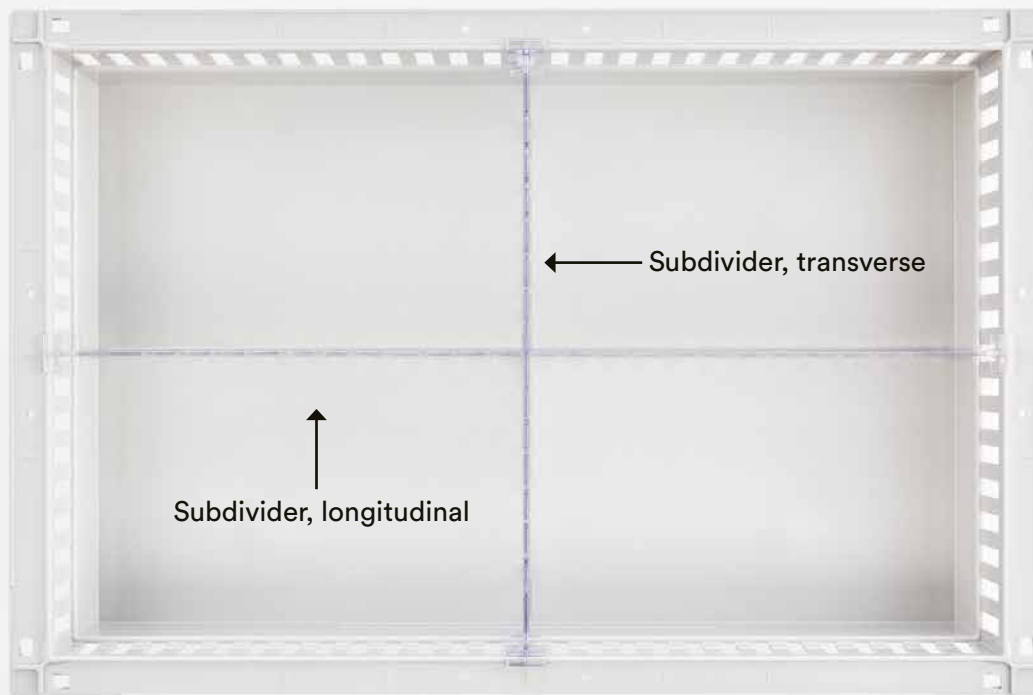




Dividers for half-size ISO modules:

Subdividers, transverse: 202.0048.0/202.0051.0/202.0054.0 for 50 mm/100 mm/200 mm high modules

Subdividers, longitudinal: 204.5210.0/204.5260.0/204.5310.0 for 50 mm/100 mm/200 mm high modules



Dividers for full-size ISO modules:

Subdividers, transverse: 204.5210.0/204.5260.0/204.5310.0 for 50 mm/100 mm/200 mm high modules

Subdividers, longitudinal: 204.5360.0/204.5410.0/204.5460.0 for 50 mm/100 mm/200 mm high modules

## varimed® Modules for ISO trolleys

Model No. Description



**204.1260.0 Module FlexModul**  
made of ABS<sup>1</sup>, grey, 600 × 400 × 50 mm (W x D x H)  
for drawers with a minimum height of 50 mm.



**204.1270.0 Module FlexModul**  
made of PC<sup>2</sup>, 600 × 400 × 50 mm (W x D x H)  
for drawers with a minimum height of 50 mm.

**202.0028.0 Half-size module FlexModul**  
(w/o ill.) made of ABS<sup>1</sup>, grey, 300 × 400 × 50 mm (W x D x H),  
for drawers min. 50 mm high.

**202.0046.0 Half-size module FlexModul**  
(w/o ill.) made of PC<sup>2</sup>, 300 × 400 × 50 mm (W x D x H),  
for drawers min. 50 mm high.



**204.5210.0 FlexModul subdivider, transverse**  
made of PC<sup>2</sup>, 400 × 50 mm.



**204.5360.0 FlexModul subdivider, longitudinal**  
made of PC<sup>2</sup>, 600 × 50 mm.

**202.0048.0 FlexModul subdivider, transverse**  
(w/o ill.) made of PC<sup>2</sup>, 300 × 50 mm, for half-size ISO modules.

## varimed® Modules for ISO trolleys

Model No. Description



**204.1310.0 Module FlexModul**  
made of ABS<sup>1</sup>, grey, 600 × 400 × 100 mm (W x D x H)  
for drawers with a minimum height of 100 mm.



**204.1320.0 Module FlexModul**  
made of PC<sup>2</sup>, 600 × 400 × 100 mm (W x D x H)  
for drawers with a minimum height of 100 mm.



**202.0029.0 Half-size module FlexModul**  
made of ABS<sup>1</sup>, grey, 300 × 400 × 100 mm (W x D x H),  
for drawers min. 100 mm high.



**202.0049.0 Half-size module FlexModul**  
made of PC<sup>2</sup>, 300 × 400 × 100 mm (W x D x H),  
for drawers min. 100 mm high.



**204.5260.0 FlexModul subdivider, transverse**  
made of PC<sup>2</sup>, 400 × 100 mm.



**204.5410.0 FlexModul subdivider, longitudinal**  
made of PC<sup>2</sup>, 600 × 100 mm.

**202.0051.0 FlexModul subdivider, transverse**  
(w/o ill.) made of PC, 300 × 100 mm, for half-size ISO modules.

<sup>1</sup> ABS acrylonitrile-butadiene-styrene  
Material properties: scratch-resistant  
Temperature tolerance: -30 °C to +85 °C  
Chemical resistance: good resistance to petrol, bases and lubricants,  
partially resistant to alcohols and acids



Model No. Description

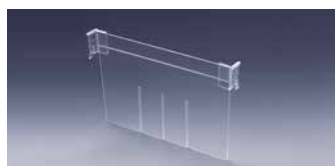
**204.1360.0 Module FlexModul**  
made of ABS<sup>1</sup>, grey, 600 × 400 × 200 mm (W x D x H)  
for drawers with a minimum height of 200 mm.



**204.1370.0 Module FlexModul**  
made of PC<sup>2</sup>, 600 × 400 × 200 mm (W x D x H)  
for drawers with a minimum height of 200 mm.

**202.0031.0 Half-size module FlexModul**  
(w/o ill.) made of ABS<sup>1</sup>, grey, 300 × 400 × 200 mm (W x D x H),  
for drawers min. 200 mm high.

**202.0052.0 Half-size module FlexModul**  
(w/o ill.) made of PC<sup>2</sup>, 300 × 400 × 200 mm (W x D x H),  
for drawers min. 200 mm high.



**204.5310.0 FlexModul subdivider, transverse**  
made of PC<sup>2</sup>, 400 × 200 mm.



**204.5460.0 FlexModul subdivider, longitudinal**  
made of PC<sup>2</sup>, 600 × 200 mm.

**202.0054.0 FlexModul subdivider, transverse**  
(w/o ill.) made of PC<sup>2</sup>, 300 × 200 mm, for half-size ISO modules.

<sup>2</sup> PC Polycarbonate

**Material properties:**

extremely high impact resistance, high stability and temperature resistance

Temperature tolerance: -90 °C to +125 °C

Temperature resistance: long-term max. +125 °C, short-term max. +140 °C

**Chemical resistance:**

good resistance to weak acids, partially resistant to alcohols and lubricants



## varimed® Modules for ISO trolleys

Model No.	Description
<b>202.0032.0</b>	<b>Support bar for half-size modules</b> Divides a drawer for full-size ISO modules into a drawer for two half-size ISO modules; can be retrofitted.
<b>202.0082.0</b> (w/o ill.)	<b>ABS side panels with rails</b> Set of ABS side panels with rails for ISO trolley 260.0038.0
<b>202.0086.0</b> (w/o ill.)	<b>ABS side panels with rails</b> Set of ABS side panels with rails for ISO trolley 260.0037.0
<b>202.0072.0</b>	<b>Stops for full-size ISO modules (pair)</b> For use with full-size ISO modules in ISO trolleys with rail walls 260.0037.0 and 260.0038.0; holds the full module at two different angles when it is pulled out. The module can be filled or emptied without being removed. <b>One pair of stops is needed for each module.</b> <b>Can only be used with ISO modules from SCHMITZ!</b>





## **varimed® Functional and ISO trolleys / IT solutions**

### **The new SCHMITZ IT solutions for functional and ISO trolleys – always flexible and cutting edge**

#### **Combining quality and innovation**

The SCHMITZ quality you are accustomed to for functional and ISO trolleys, combined with innovative solutions for today's challenges. These are our answers to the increasing digitalisation in hospitals and practices.

#### **Versatile solutions that meet your needs**

Choose from three different IT solutions! Two functional trolleys and one ISO trolley configured for each of the following:

- All-in-one PC  
(with computer integrated in monitor)
- Built-in PC  
(classical solution with separate computer and monitor)
- Laptop

For more information about the components for each solution and about the functional and ISO trolley models that can be fitted with them, see the following pages.



#### **Important!**

All of the following configurations for IT solutions involve only the configuration of a functional or ISO trolley to accommodate IT equipment.

None of the monitors, computers, batteries or other IT equipment illustrated come with the product.

#### **No limits!**

Our functional and ISO trolleys can also be used normally when fitted with an IT solution. The monitor bracket is fastened to the rear of the trolley, leaving the top surface entirely free for use. The configuration of the drawers can also be adapted to your needs.

**Please also refer to the simple two-page illustration on pages 154/155.**



Dressing and treatment trolley (IT) 260.0043.0 with accessories  
202.0079.0, 202.0062.0, 202.7560.1, 202.0020.0, 202.0076.0 and 202.3000.0



Dressing and treatment trolley (IT) 260.0043.0 with accessories  
202.0080.0, 202.0062.0, 202.0085.0, 202.7560.1, 202.0020.0, 202.0076.0 and 3 × 202.3000.0

## varimed® Functional and ISO trolleys / IT solutions

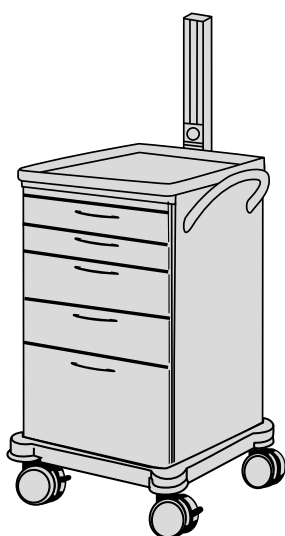
Model No.	Description
-----------	-------------



<b>260.0049.0</b>	<p><b>ISO trolley (IT)</b> with 3 drawers for modules of max. 50 mm height, 2 drawers for modules of max. 100 mm height and 1 drawer for modules of max. 200 mm height. 4 closed double castors Ø 125 mm, plastic, ball bearing, 2 of which electroconductive, 2 full lock-type castors, and 1 with directional locking, silver grey frame cover with revolving bumpers, plastic top (silver grey) with profile edge, guiding bar. With mounting tube for mounting a laptop or monitor. Overall height 1070 mm (without monitor holder), body width 720 mm.</p> <p><b>Modules not included.</b></p>
-------------------	---



<b>260.0043.0</b>	<p><b>Dressing and treatment trolley (IT)</b> with 2 drawers type 6B, 2 drawers type 6D, 1 drawer type 6G. 4 closed double castors Ø 125 mm, plastic, ball bearing, 2 of which electroconductive, 2 full lock-type castors, and 1 with directional locking, silver grey frame cover with revolving bumpers, plastic top (silver grey) with profile edge, guiding bar. With mounting tube for mounting a laptop or monitor. Overall height 1010 mm (without monitor holder), body width 600 mm.</p>
-------------------	--



Model No. Description

---

**260.0046.0 Dressing and treatment trolley (IT)**

with 2 drawers type 4B, 2 drawers type 4D, 1 drawer type 4G. 4 closed double castors Ø 125 mm, plastic, ball bearing, 2 of which electroconductive, 2 full lock-type castors, and 1 with directional locking, silver grey frame cover with revolving bumpers, plastic top (silver grey) with profile edge, guiding bar. With mounting tube for mounting a laptop or monitor. Overall height 1010 mm (without monitor holder), body width 450 mm.



**Important!**

Each of the three functional or ISO trolleys shown on these two pages is configured for the installation of an IT solution.

The scope of the configuration can vary with the selected IT solution. You will find more detailed information on the following pages.



The trolley must be fitted out with IT equipment installed by the end user, your specialist trade partner or an IT service provider.

**varimed®**  
**Functional and ISO trolleys / IT solutions**  
**The SCHMITZ IT solutions at a glance!**

Model No. Description

---



**202.0078.0 Laptop configuration**

Configures a functional or ISO trolley to accommodate a laptop. Includes a mounting tube for attachment of the bracket, fastened on the rear side; bracket with laptop tray, height adjustment range of approx. 230 mm, maximum load 10 kg, tiltable approx. 25°, with hole for theft prevention, adjustable approx. 400 mm to right and left. Laptop tray dimensions: 400 mm x 288 mm.

**Suitable for trolley models 260.0043.0, 260.0046.0 and 260.0049.0.**

**No subsequent fitting!**

---

**202.0079.0 All-in-one PC configuration**

Includes a monitor bracket fastened to the rear side. Maximum load for monitor bracket 11.3 kg, tiltable, with VESA-standard 75 mm x 75 mm and 100 mm x 100 mm mount.

**Suitable for trolley models 260.0043.0, 260.0046.0 and 260.0049.0.**

**No subsequent fitting!**





Fig. with 202.0062.0  
and 202.0085.0

Model No.	Description
-----------	-------------

<b>202.0080.0</b>	<b>Built-in PC configuration</b>
-------------------	----------------------------------

	Includes a monitor bracket fastened to the rear side. Maximum load for monitor bracket 11.3 kg, tiltable, with VESA-standard 75 mm x 75 mm and 100 mm x 100 mm mount. Configured for battery holder under the trolley.
--	--

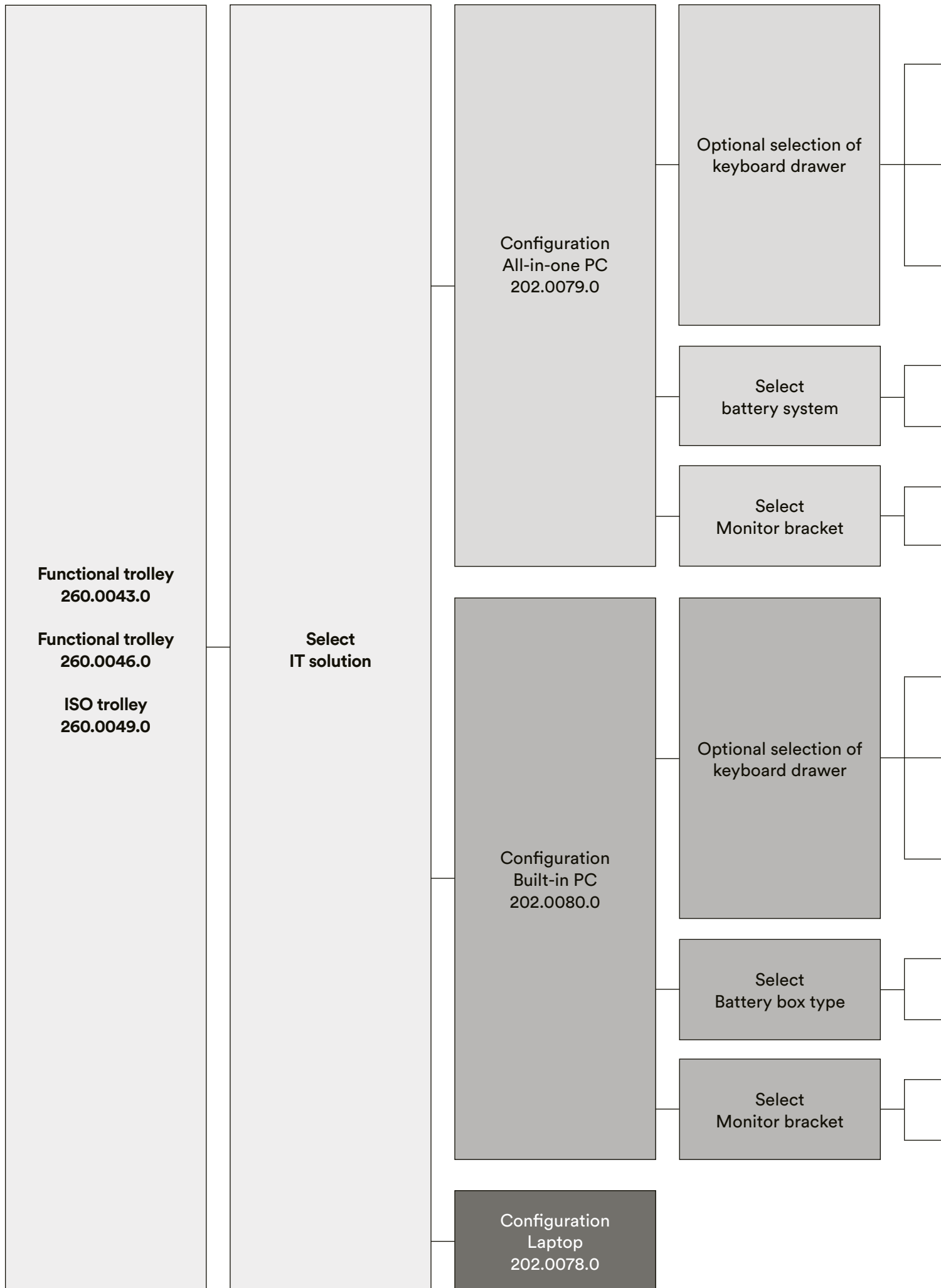
	<b>Suitable for trolley models 260.0043.0, 260.0046.0 and 260.0049.0.</b>
--	---

	<b>No subsequent fitting!</b>
--	-------------------------------



**Note:**

The configuration of the bottom drawer of the functional or ISO trolley will change as a result of the space required for the built-in PC. For the ISO trolley, the drawer 200 mm high is replaced by a drawer and a panel, each 100 mm high. For functional trolleys, the type G drawer has a reduced depth.



Simple version  
202.0083.0  
202.0084.0  
202.0085.0  
(depending on trolley type, see item description)

none

Ergonomic IT drawer  
202.0063.0  
202.0074.0  
202.0075.0  
(depending on trolley type, see item description)

none

Select  
Battery box type

202.0076.0 Battery box from Lean

Integrated battery

202.0081.0 Multibox battery box

Fixed version (standard)

Height adjustable version 202.0062.0

Simple version  
202.0083.0  
202.0084.0  
202.0085.0  
(depending on trolley type, see item description)

none

Comfort version  
202.0063.0  
202.0074.0  
202.0075.0  
(depending on trolley type, see item description)

202.0076.0 Battery box from Lean

202.0081.0 Multibox battery box

Fixed version (standard)

Height adjustable version 202.0062.0

## varimed® Accessories for IT solutions

Model No. Description



### 202.0062.0 Monitor bracket, height-adjustable

Aluminium and plastic, fastened to rear. Range of height adjustment approx. 230 mm, bracket can be tilted 35° up or down and swivelled 35° left or right via ball joint.

**No subsequent fitting!**

The bracket is designed for VESA standard 75 mm x 75 mm / 100 mm x 100 mm, maximum load capacity 15 kg.



### 202.0083.0 IT drawer for ISO trolley

Fits in the top 50 mm drawer in an ISO trolley, with insert to accommodate a keyboard and cable feed-through.

**No subsequent fitting!**

### 202.0084.0 IT drawer for functional trolley

(w/o ill.) as IT drawer 202.0083.0, however fits functional trolleys with 450 mm width.

**No subsequent fitting!**

### 202.0085.0 IT drawer for functional trolley

(w/o ill.) as IT drawer 202.0083.0, however fits functional trolleys with 600 mm width.

**No subsequent fitting!**



Model No. Description

---

**202.0063.0 Ergonomic IT drawer for ISO trolley**  
 Fits in the top 50 mm drawer in an ISO trolley, with a height-adjustable insert for mouse and keyboard. The keyboard can be raised to the level of the drawer panel for ergonomic use. Drawer secured against accidental closing.  
**No subsequent fitting!**

---

**202.0074.0 Ergonomic IT drawer for functional trolley**  
 (w/o ill.) as ergonomic IT drawer 202.0063.0, however fits functional trolleys with 450 mm width, with lateral pull-out mouse tray.  
**No subsequent fitting!**

---

**202.0075.0 Ergonomic IT drawer for functional trolley**  
 (w/o ill.) as ergonomic IT drawer 202.0063.0, however fits functional trolleys with 600 mm width.  
**No subsequent fitting!**

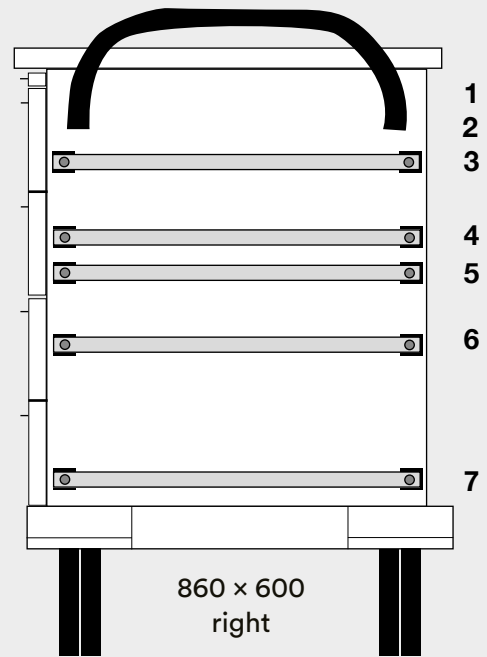
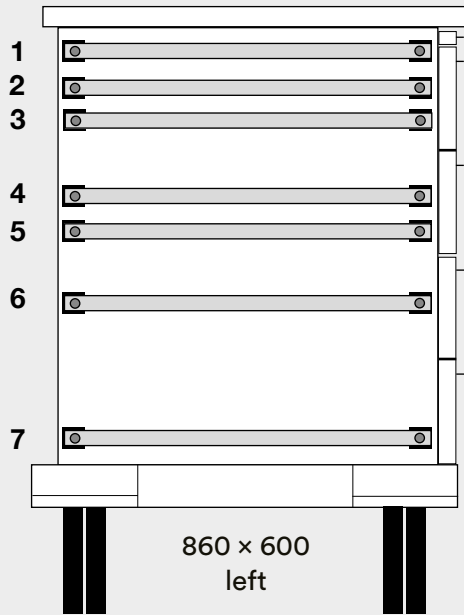
---

**202.0081.0 Multibox battery box**  
 (w/o ill.) Universal battery holder; mounted on underside of functional or ISO trolley. Available space for batteries on a 450 mm wide functional trolley: 255 × 265 × 105 mm (W × D × H); for all other models: 335 × 265 × 105 mm (W × D × H).  
**No subsequent fitting!**

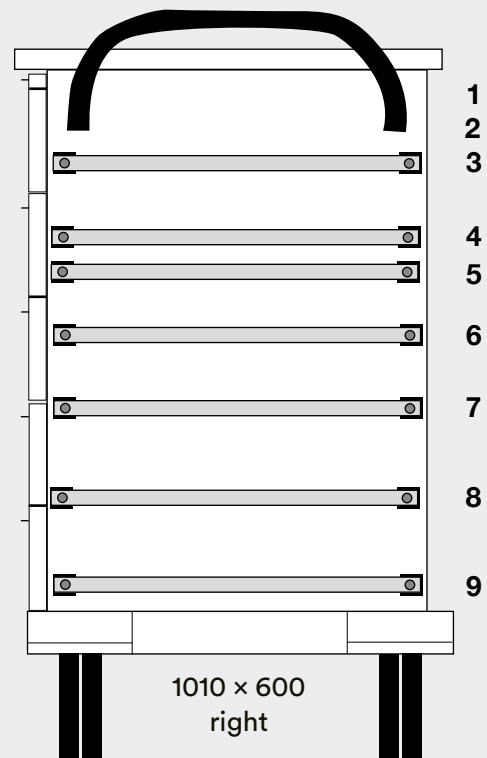
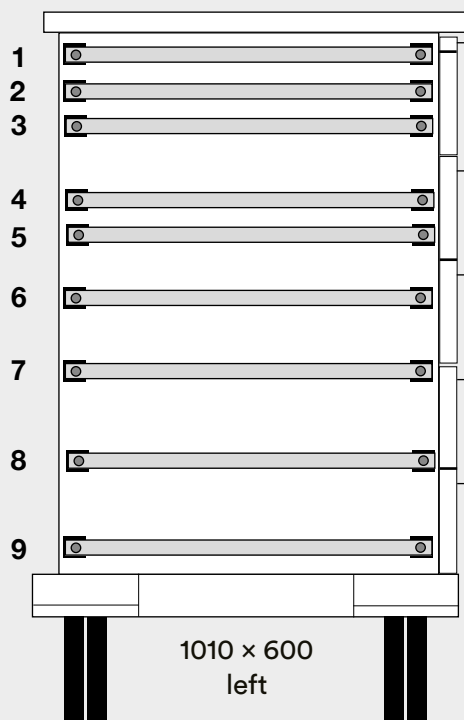



---

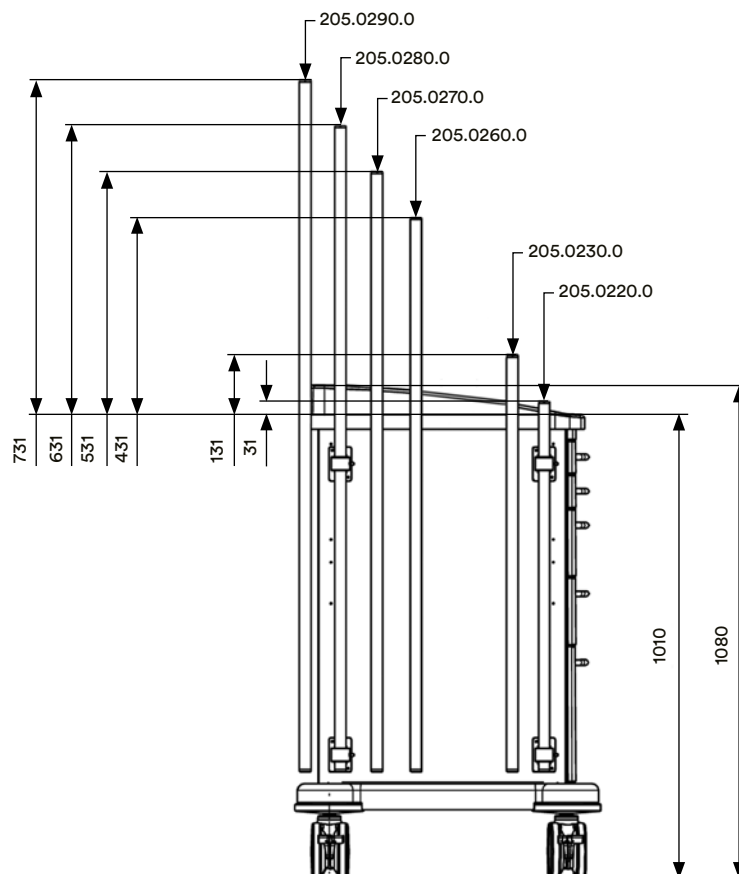
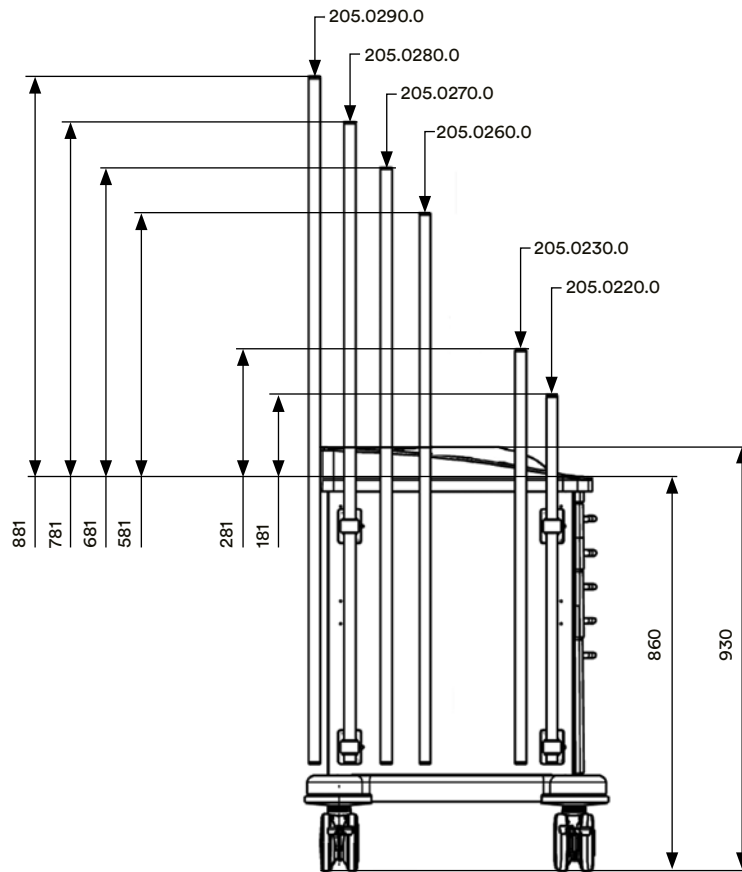
**202.0076.0 Preparation for Battery box from Lean**  
 Accommodates batteries from Lean; mounted on underside of functional or ISO trolley.  
**No subsequent fitting!**



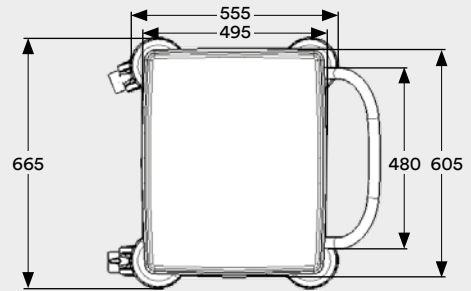
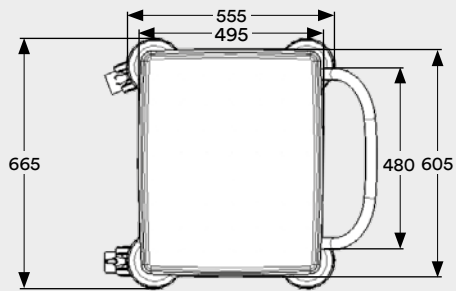
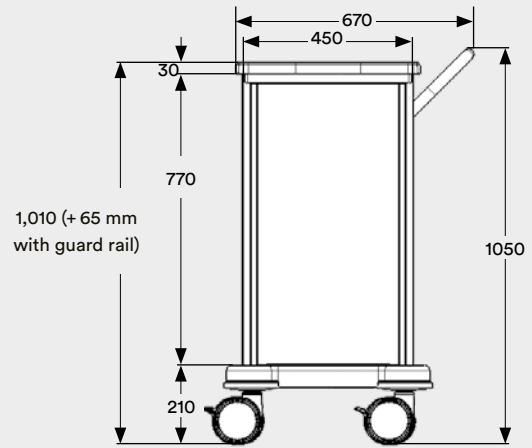
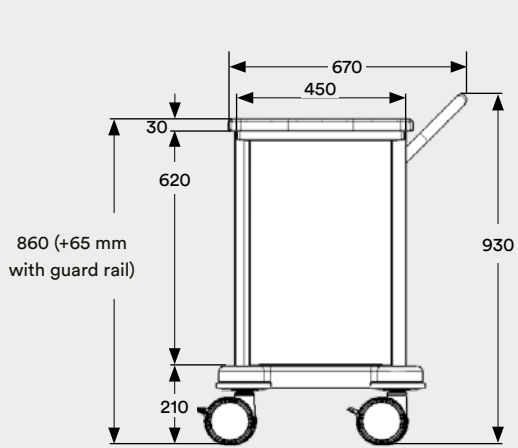
Possible positions of side rails for trolleys of 860 mm height



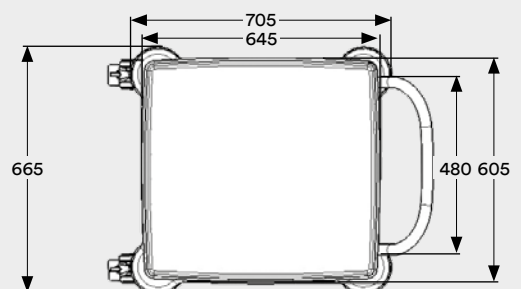
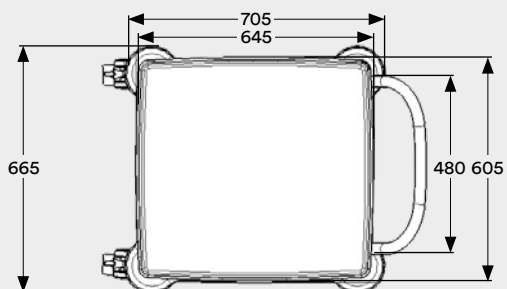
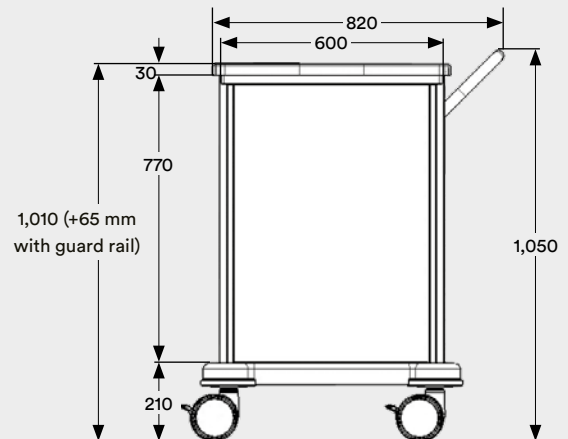
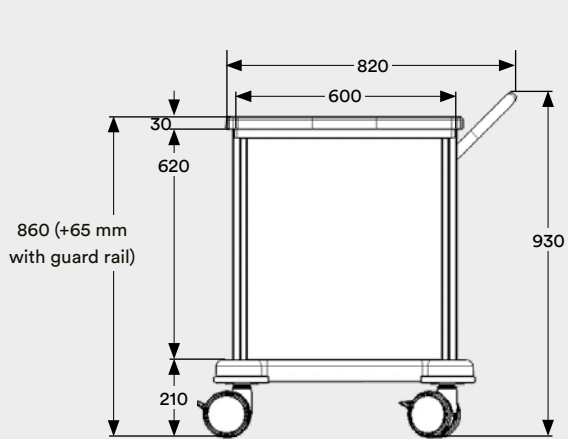
Possible positions of side rails for trolleys of 1,010 mm height



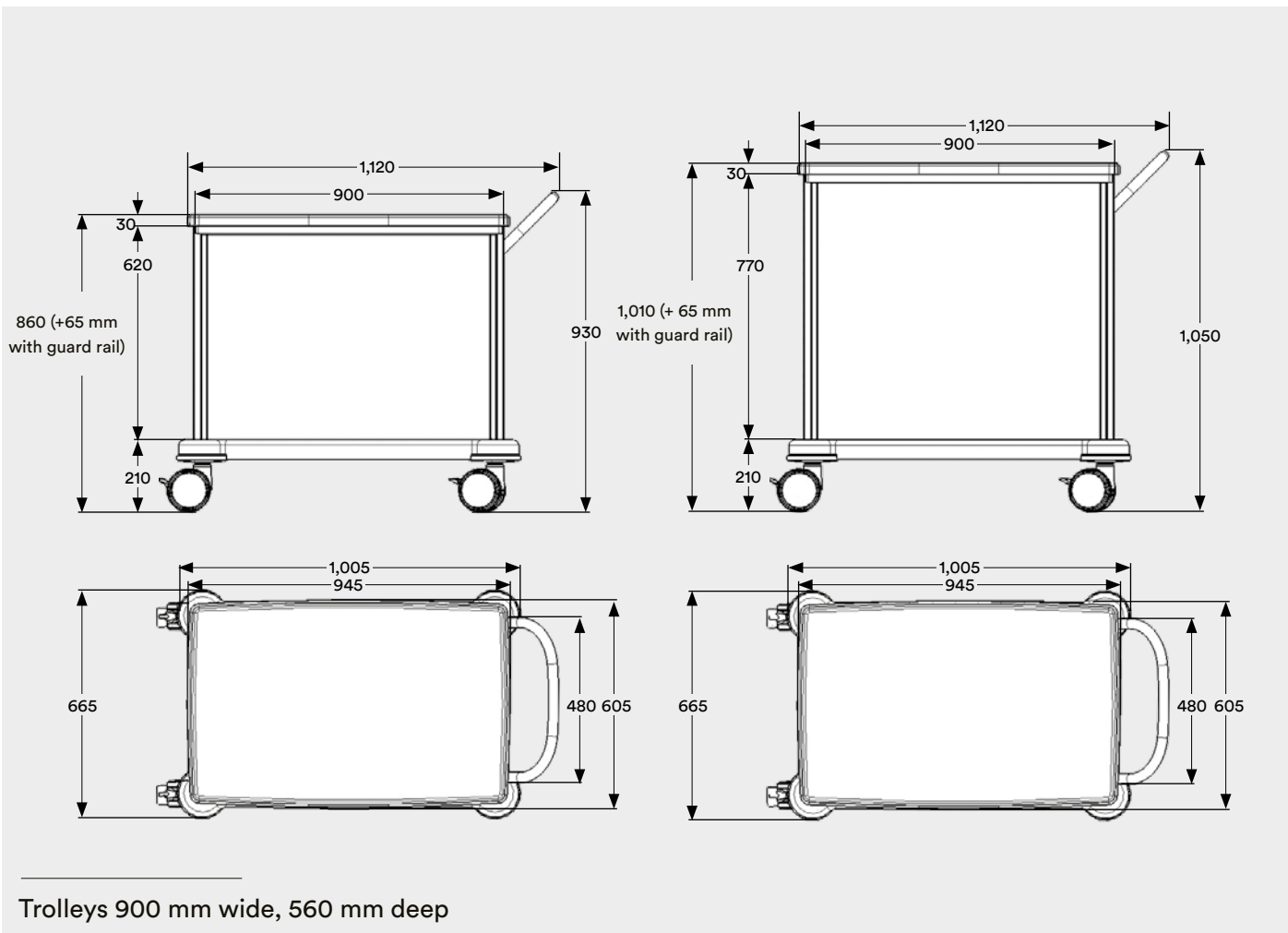
Length of basic tubes in relation to functional trolley height

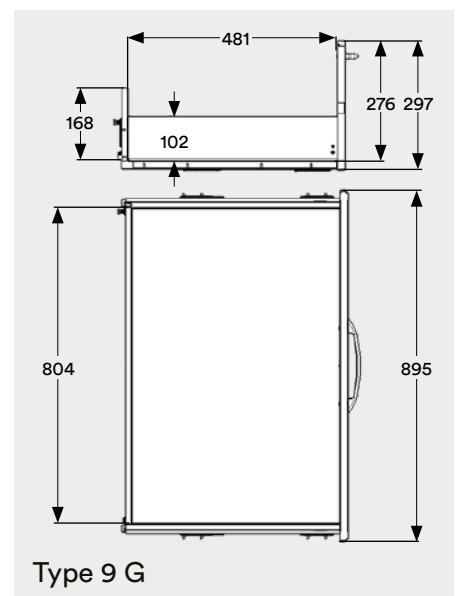
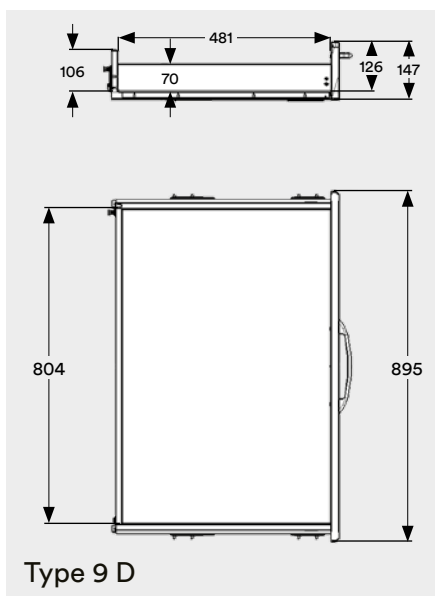
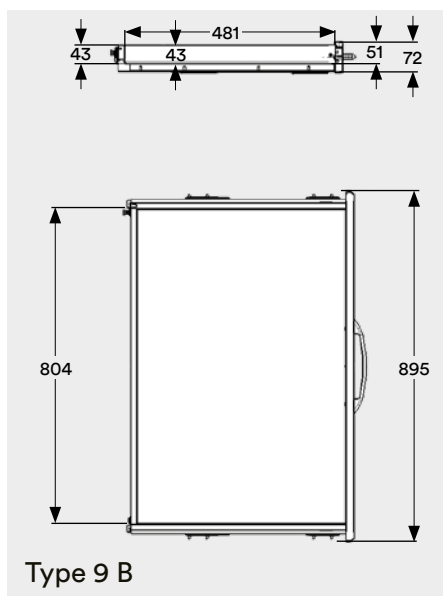
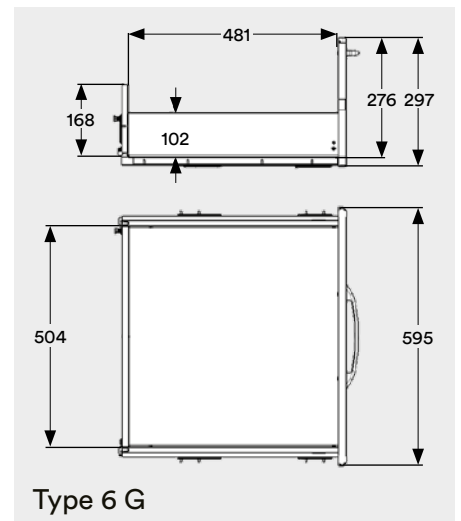
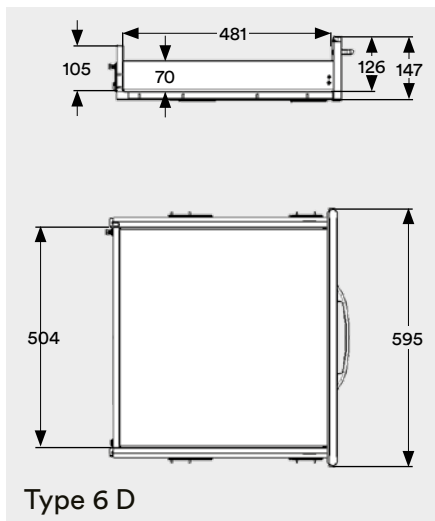
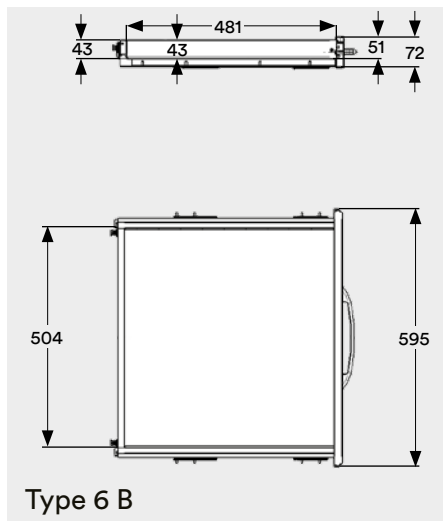
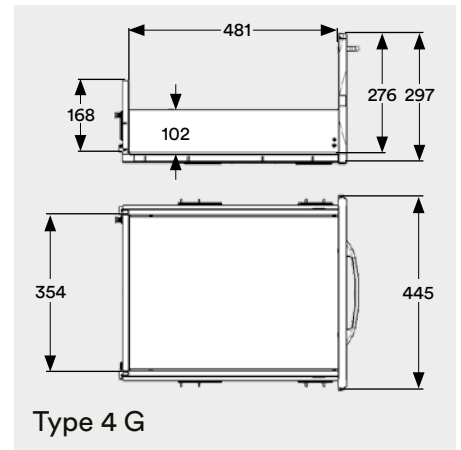
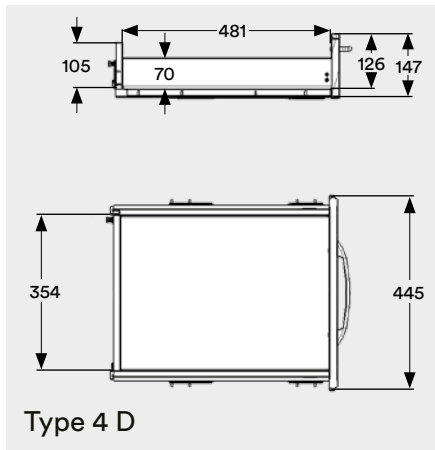
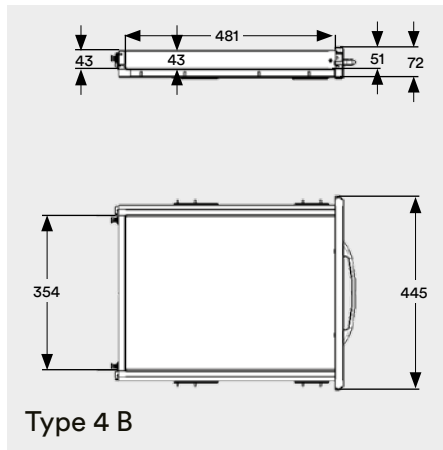
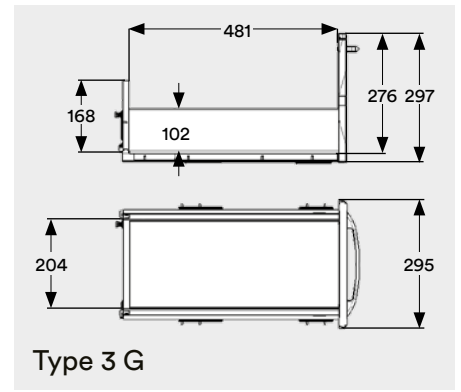
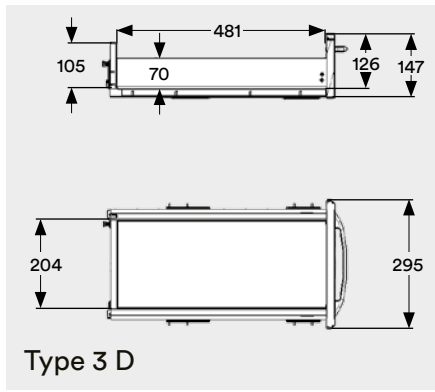


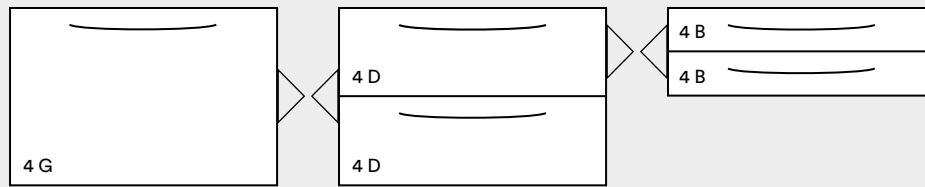
Trolleys 450 mm wide, 560 mm deep



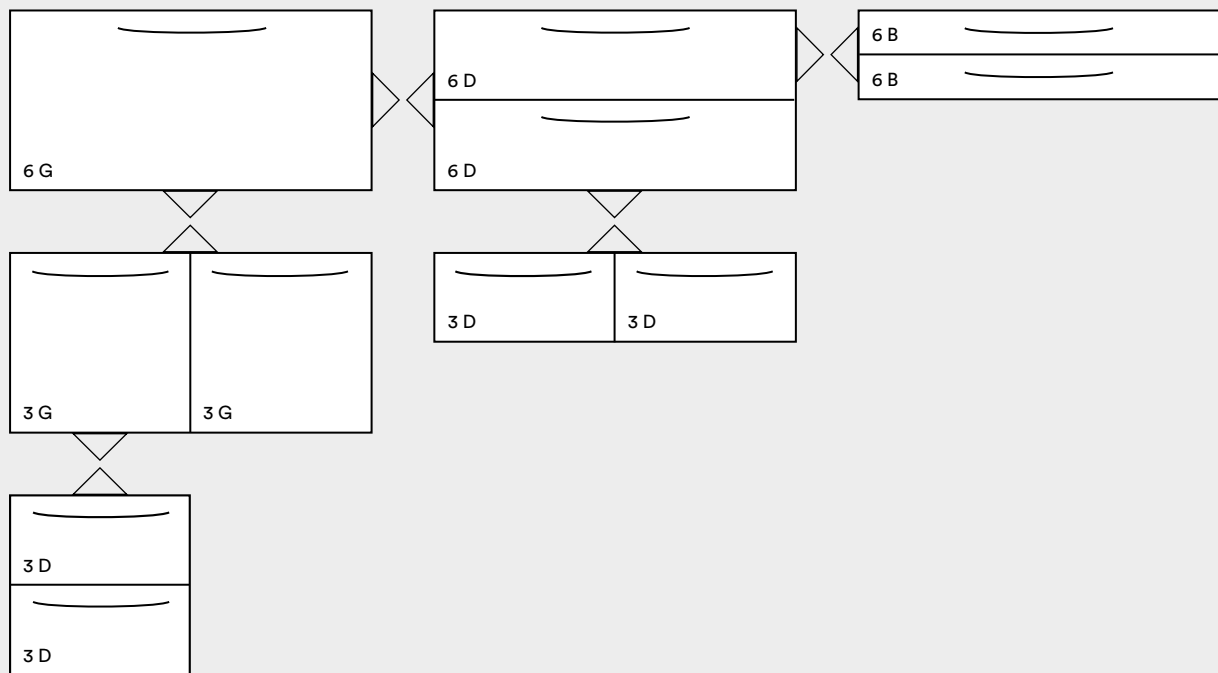
Trolleys 600 mm wide, 560 mm deep



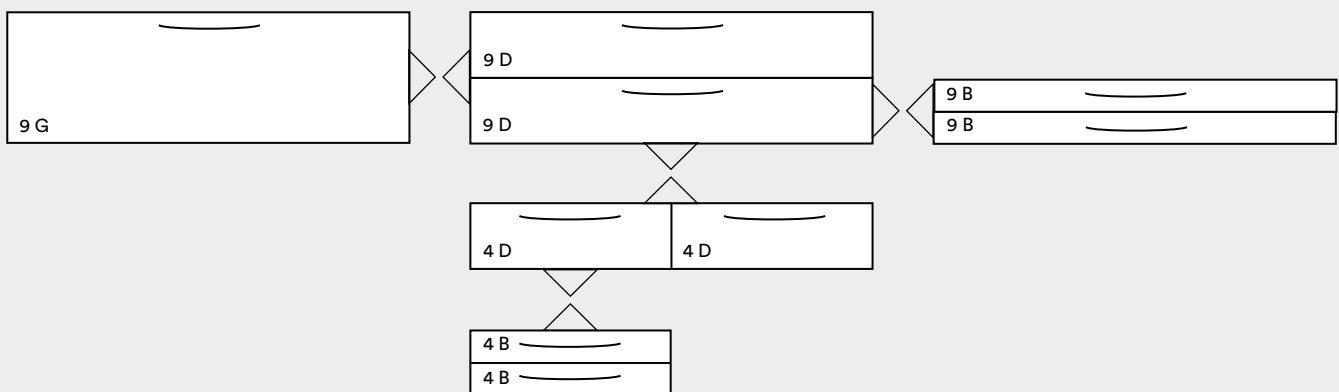




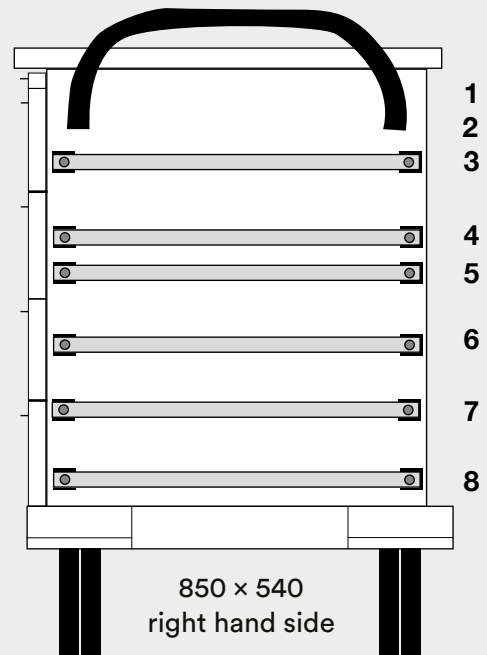
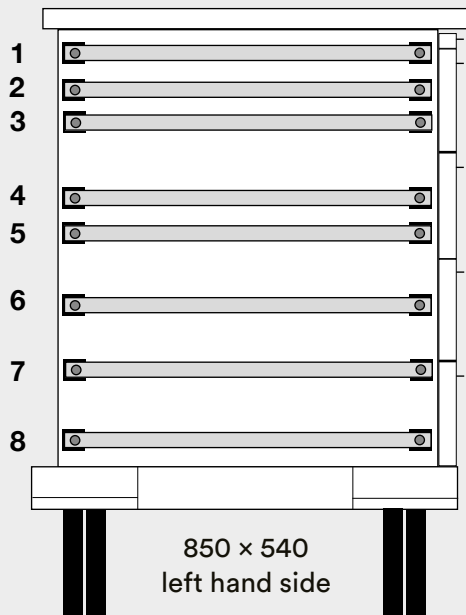
Drawer front Type 4G, 450 mm wide, 300 mm high



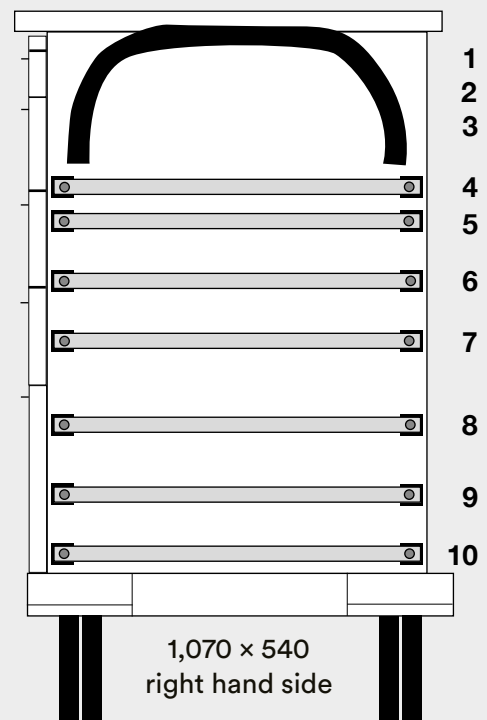
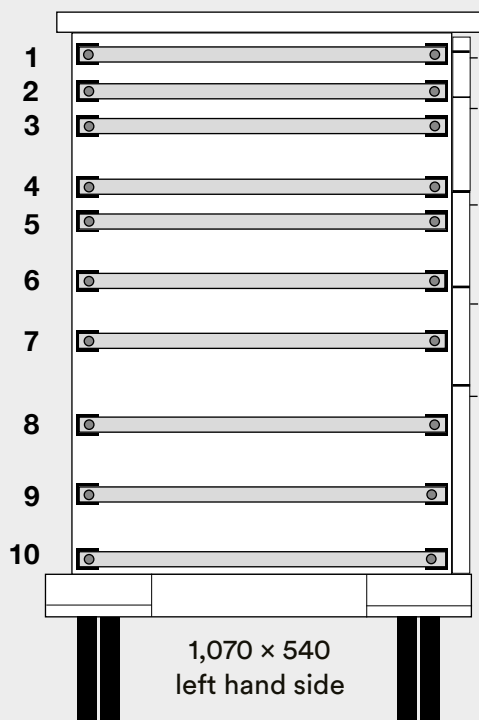
Drawer front Type 6G, 600 mm wide, 300 mm high



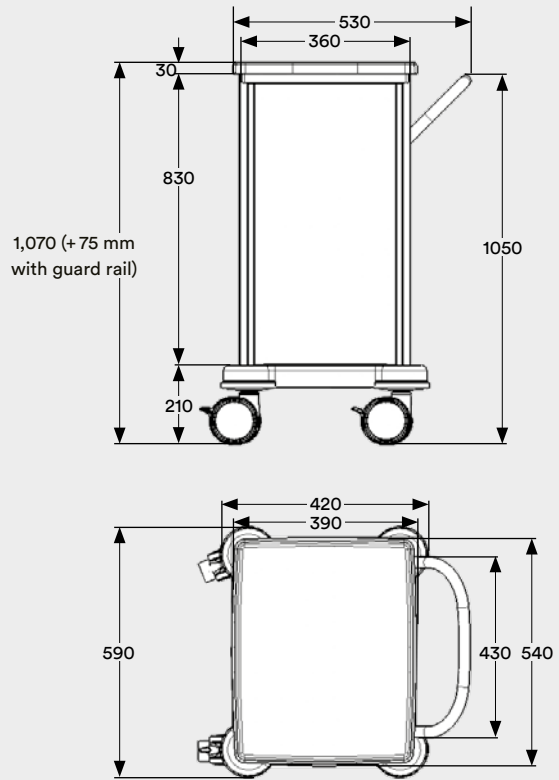
Drawer front Type 9G, 900 mm wide, 300 mm high



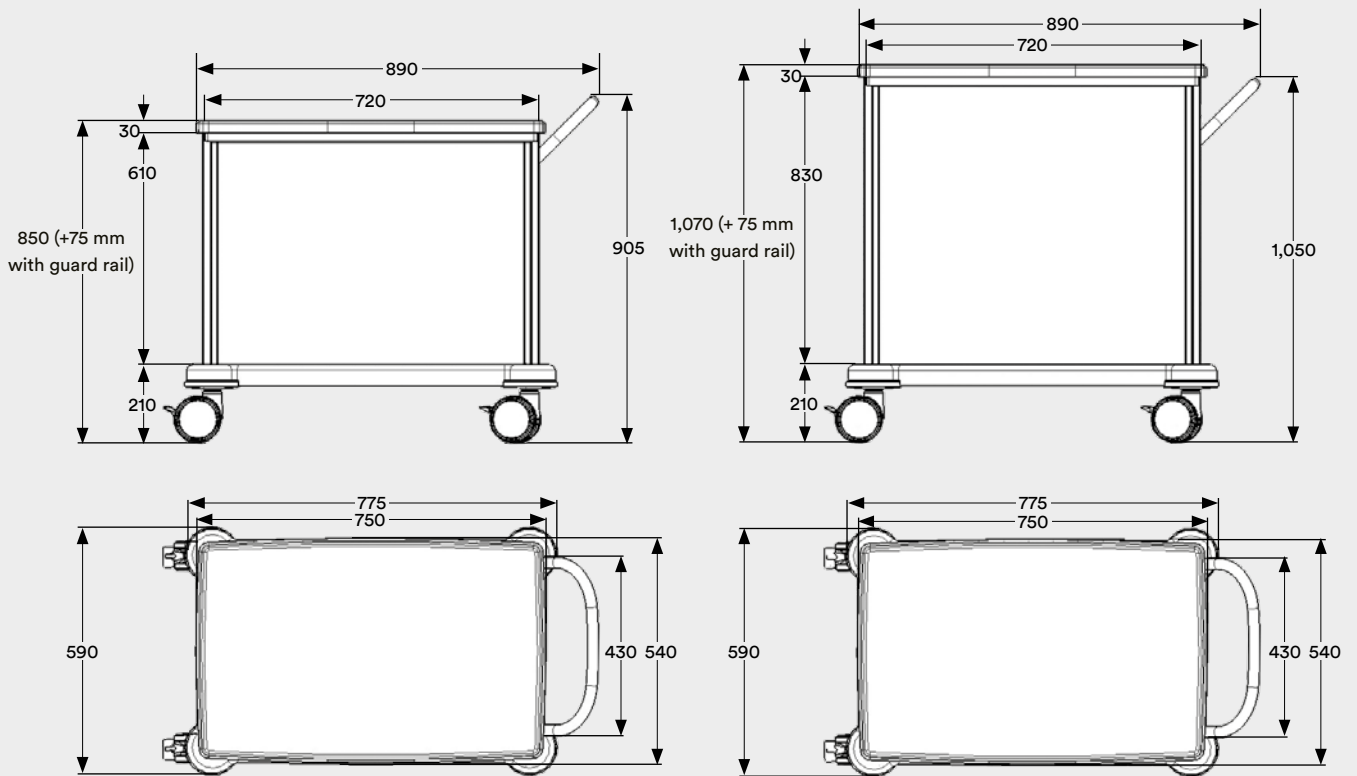
Possible positions of side rails for trolleys of 850 mm height



Possible positions of side rails for trolleys of 1,070 mm height



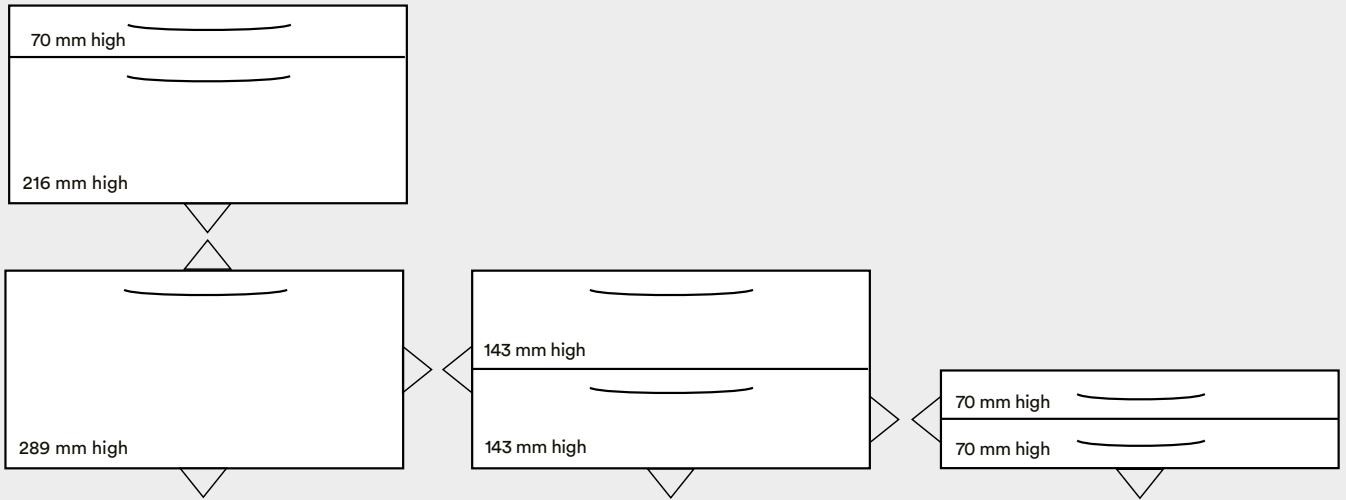
Trolleys 360 mm wide, 500 mm deep



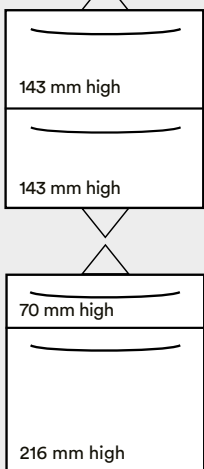
Trolleys 720 mm wide, 500 mm deep



### Drawers for full-size ISO modules

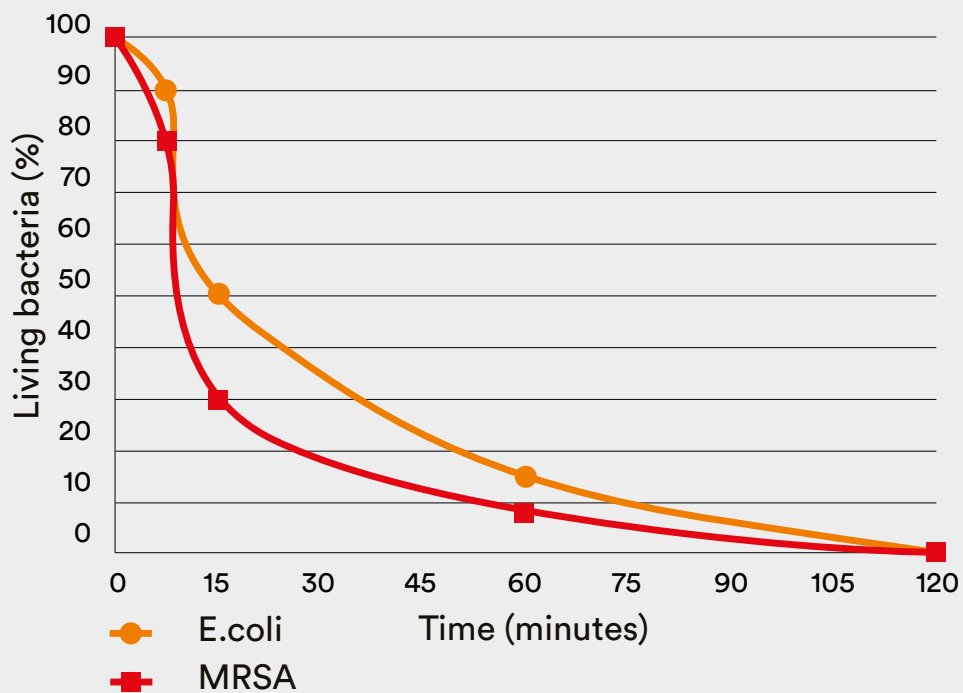


### Drawers for half-size ISO modules



Height of drawer front	for ISO modules with a height of
70 mm	50 mm
143 mm	50 mm or 100 mm
216 mm	50 mm or 100 mm
289 mm	50 mm, 100 mm or 200 mm

### Percentage of reduction of MRSA and E.coli on a protected surface (ISO 22196:2011)



### Microbes have a very long stability on untreated surfaces:

Microbe	Durability
MRSA	up to 7 months
Salmonella	14 days
Aspergillus niger	spores survive for years
E.coli	up to 16 months

## varimed® Functional and ISO trolleys

### Antimicrobial coating

The antimicrobial coating ensures effective and long-lasting reduction of bacteria, mould and fungi colonisation.

Because of the antimicrobial coating, certain germs are reduced to up to 80% after 15 min and up to 99% within the first two hours.

It inhibits growth of a wide spectrum of microorganisms:

- MRSA
- E.coli
- Salmonella
- Legionella
- Aspergillus Niger

The anti-microbial coating has been tested to ISO 22196:2011 to substantiate the reduction of microbes. Only coatings with a minimum reduction of 95 per cent are approved.

For further information please visit [www.biocote.com](http://www.biocote.com).

### **Note:**

Please be aware that even with an antimicrobial coating, the device still must be cleaned and disinfected properly at all times!

## varimed® Functional and ISO trolleys

### Order information and material description

#### Order information

The following information is required:

Table top:	Plastic, silver grey with or without guard rail, inserted SST 18/10 plate or stainless steel plate with or without guard rail.
	Standard version: see item description of the respective trolley.
Trolley body:	RAL 9002, RAL 9006, RAL 9007 (standard) or at extra charge acc. to our colour chart.
Drawer and/or door fronts:	acc. to our colour chart
Bar handles:	acc. to our colour chart or matt chromium plated, semicircular or angular
Guiding bar:	acc. to our colour chart <ul style="list-style-type: none"> <li>• straight or curved version</li> <li>• mounting on right or left side</li> <li>• without guiding bar</li> </ul> <p>Standard version: curved guiding bar mounted on right side</p>

#### Cabinet

Self-supporting full-metal sandwich construction, double-wall design, sound damped, thermal protection insulated, high stiffness, smooth inner and outer surfaces.

The total load capacity (including mounting parts) distributed across a functional or ISO trolley is 100 kg (60 kg for 360 mm or 450 mm wide trolleys).

#### Drawers

Replaceable fronts made of electrolytically galvanized and phosphatized steel plate, with rounded corners and edges, sound damped and thermal protection with silicone sealing strip. Drawers made of electrolytically galvanized and phosphatized steel plate, powder-coated white aluminium RAL 9006. Concealed low-noise drawer slides with full pullout function, automatic pull-in function and Airmatic damping, high retention force, tool-free drawer removal. Safe working load: 20 kg.

A surcharge applies to drawer configurations that vary from the trolleys illustrated in this catalogue. This surcharge is calculated once according to the individually customised drawer configuration; the number of trolleys in this new configuration is irrelevant.

#### **Doors**

Made of electrolytic galvanized and phosphatized steel plate, with rounded corners and edges, sound damped and thermal protection with surrounding silicone sealing strip. Internal wide angle hinges, 125° opening, magnetic catch.

#### **Bar handles**

Zinc diecast, the surface is chemical resistant, easy to clean and easy to disinfect. Mounting holes distance 192 mm.

#### **Table tops**

Jointless table top made of ABS, colour silver grey, with raised edge and/or guard rail, underside sealed, optionally made of SST 18/10. Safe working load: 50 kg.

#### **Guiding bar**

Ergonomic guiding bar, powder-coated according to colour chart.

#### **Castors**

4 closed double easy-roll castors Ø 125 mm, ball bearing, 2 electroconductive castors with full lock, 1 swivel-type castor and 1 with directional locking, non-staining and resistant to abrasions. Revolving bumpers Ø 100 mm, ABS frame cover, colour silver grey.

#### **Powder coated finishes**

High quality multilayer gloss paint, extremely durable and scratch resistant. Easy to clean. Resistant to climatic conditions and disinfectants.

Standard finish for trolley body:

grey white, RAL 9002, white aluminium RAL 9006 or grey aluminium RAL 9007.

All SCHMITZ colours are available for doors, drawer fronts, guide bar and bar handles, without additional charge.

Further special powder coated finishes on request.

Model No.	Description
-----------	-------------

<b>200.6030.0</b> (w/o ill.)	<b>Surcharge for trolley body finishes</b> according to SCHMITZ colour chart.
---------------------------------	--

---

#### **Individual drawer arrangement**

## Powder coated finishes

			
grey white RAL 9002	pure white RAL 9010	water lily white RAL 0758510	light saffron orange RAL 0608530
			
signal yellow RAL 1003	vermilion RAL 2002	lotus pink RAL 3608510	tricot lilac white RAL 3108510
			
tennis blue RAL 2307020	light blue RAL 2606030	sapphire blue RAL 5003	pallid blue RAL 2308010
			
lemon green RAL 1008060	filigree green RAL 1207020	ice-cold green RAL 1209030	Bar handles also available matt chrome plated.
			
white aluminium RAL 9006	grey aluminium RAL 9007	anthracite grey RAL 7016	Plastic elements silver-grey



antimicrobial  
These colours have antimicrobial properties



## Colours for plastic enamel coatings

### Discover new, colourful worlds

With a total of 18 colours for powder-coated finish, you have many options to create colourful highlights in your surgery.

Whether muted or cheerful, classic or modern, elegant or extravagant – with our tool, you will certainly find the right colour for you in no time at all.

We would be delighted to advise you – please feel free to contact us.



Be inspired:  
[www.schmitz-medical.com](http://www.schmitz-medical.com)



‘A strong company that you can trust – expert, honest, fair and reliable.’

These values are reflected in our products and their quality: a combination of durability, trend-setting cutting-edge technology and attractive design.

Innovation has a long tradition with us. For more than 95 years, we have been developing and producing medical technology products that both doctors and patients around the world trust.

Our products are created in close collaboration with medical professionals and thanks to the expertise and passion of our employees.

Thanks to continuous further development and our high standards of quality and functionality, SCHMITZ occupies a leading position in the market with its products and services.

SCHMITZ – Your partner for medical technology in hospitals and medical practices.



Mobile operating tables



OR table accessories



Outpatient surgery chair



Furniture for OR theatres



Patient stretchers



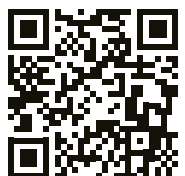
Functional and ISO trolleys



IT trolleys



Delivery bed





## Contact

SCHMITZ medical GmbH  
Zum Ostenfeld 29  
58739 Wickede (Ruhr)  
Germany



All devices marked with the CE-MD symbol, in combination with our accessories, meet the requirements of Medical Device Regulation 2017/745/EU (MDR) as well as the Medical Device Amendment Act and are risk class I medical devices.



All devices marked with the simple CE symbol meet the requirements of low-voltage directive 2014/35/EU as well as the regulation on electrical equipment.

Please also refer to the instructions for use, for more details about the intended use!

T +49 (0)2377 84 0  
F +49 (0)2377 84 162  
zentrale@schmitz-medical.com

Exports department:  
T +49 (0)2377 84 0  
F +49 (0)2377 84 135  
export@schmitz-medical.com

Technical service, hotline:  
T +49 (0)2377 84 549  
F +49 (0)2377 84 210  
service@schmitz-medical.com

Information on  
our establishments  
worldwide can be found  
on our website:

[www.schmitz-medical.com](http://www.schmitz-medical.com)



\* This product is an article of merchandise, sold under OEM brand name.

Our goods and services are to be understood ex works. Deliveries are effected via our authorized partners or branch offices. The company reserves the right to alter the design, construction, dimensions and finish of its products without notice. All relevant dimensions and weights are to be understood as approximate information/data. Due to technical reasons colour deviations are possible. The articles shown in this catalogue are not authorized for sale in the United States.

Nominal charge 3.00 Euro.